

**DO NOT SCALE**      **METRIC**      THIRD ANGLE PROJECTION

**NOTES:**

- THIS PLUG ACCEPTS SIZE 20 PIN CONTACTS.
- MAXIMUM WIRE INSULATION RECOMMENDED FOR USE WITH THIS PLUG IS 1,73 DIA. MAX..
- RETENTION TINES ARE AN INTEGRAL PART OF INSERT.
- FOLLOWING INSERTION/REMOVAL TOOLS ARE RECOMMENDED FOR USE WITH THESE CONNECTORS:  

32-28AWG/28-24AWG CONT'S	24-20AWG CONTACTS
91067-3 INSERTION/REMOVAL	91067-2 INSERTION/REMOVAL
726363-1 INSERTION ONLY	726363-1 INSERTION ONLY
	726364-1 REMOVAL ONLY

⚠ CONTACTS SHOWN FOR ILLUSTRATION ONLY, NO PART OF CONNECTOR PACKAGE, MUST BE ORDERED SEPARATELY.

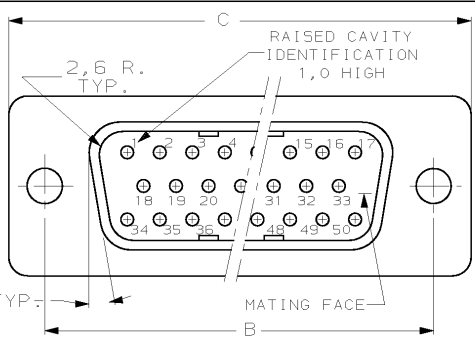
⚠ RAISED CAVITY IDENTIFICATION NUMBERS ON WIRE SIDE ARE WHITENED FOR -9 P/N'S.

55,3	66,9	61,1	52,9	50	5	167296-9	167296-1
57,7	69,3	63,5	55,4	37	4	167295-9	167295-1
41,3	53,0	47,0	39,0	25	3	167294-9	167294-1
27,5	39,1	33,3	25,3	15	2	167293-9	167293-1
19,3	30,8	25,0	16,9	9	1	167292-9	167292-1
D	C	B	A	NR. OF POS.	SIZE	AMP ORDER NUMBER	

FOR DETAILS SIZE 5, SEE SHEET 2.

-	-	-	-	-	<b>CUSTOMER DRAWING</b>		FOR REFERENCE ONLY WILL NOT BE UPDATED.
-	-	-	-	-	© COPYRIGHT 19- BY AMP HOLLAND B.V.		ALL INTERNATIONAL RIGHTS RESERVED. AMP PRODUCTS MAY BE COVERED BY U.S. AND FOREIGN AND/OR PATENTS PENDING.
-	-	-	-	-	THIS DRAWING IS UNPUBLISHED		RELEASED FOR PUBLICATION
J	EH01-1520-03	JvdH	PDJ	22 DEC 03	<b>TYCO</b> Electronics	TYCO ELECTRONICS NEDERLAND B.V. "S"-HERTOGEBOSCH, THE NETHERLANDS.	
H	SR10-0457-02	KV	-	24 OCT 02	NAME		
G	SR10-0382-02	KV	-	22 AUG 02	HDP-20 PLUG CONNECTOR, SIZE 1-4		
LTR.	REVISION RECORD	DR.	CHK.	DATE	DWG. No.	REV. LTR.	SHEET
DATE: 20 NOV 87	DATE: -	DATE: -	DATE: -	DATE: -	C-167292	J	1 OF 2

8      7      6      5      4      3      2      1

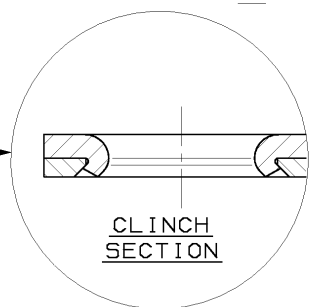
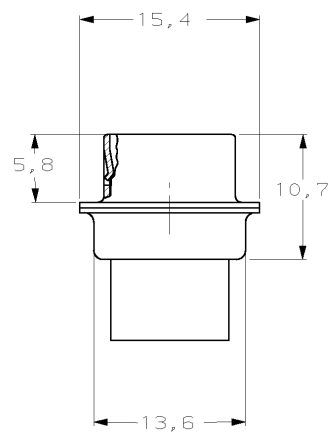
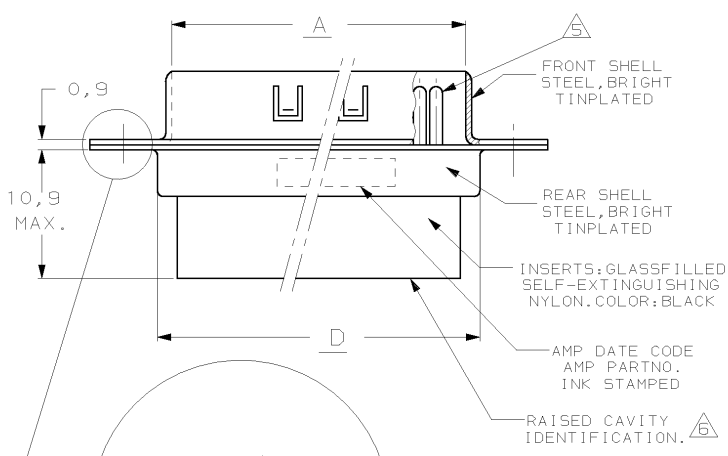


DO NOT SCALE  
DIMENSIONS IN mm

METRIC



SIZE 5  
CONFIGURATION



-	-	-	-	-	CUSTOMER DRAWING FOR REFERENCE ONLY WILL NOT BE UPDATED.	
-	-	-	-	-	© COPYRIGHT 19- BY AMP HOLLAND B.V. ALL INTERNATIONAL RIGHTS RESERVED. AMP PRODUCTS MAY BE COVERED BY U.S. AND FOREIGN AND/OR PATENTS PENDING.	
-	-	-	-	-	THIS DRAWING IS UNPUBLISHED	
-	-	-	-	-	RELEASED FOR PUBLICATION	
-	-	-	-	-	TYCO ELECTRONICS NEDERLAND B.V. "S-HERTOGEBOSCH, THE NETHERLANDS.	
-	-	-	-	-	NAME	
-	-	-	-	-	HDP-20 PLUG CONNECTOR SIZE 5	
LTR.	REVISION RECORD			DR.	CHK.	DATE
DR.:	B.MDDJ.	CHK.:	-	APP.:	-	DWG. No.
DATE:	20 NOV 87	DATE:	-	DATE:	-	C-167292
					REV. LTR.	SHEET
					J	2 OF 2
						A3

8 7 6 5 4 3 2 1

RB-128  
(REV. 04-91)