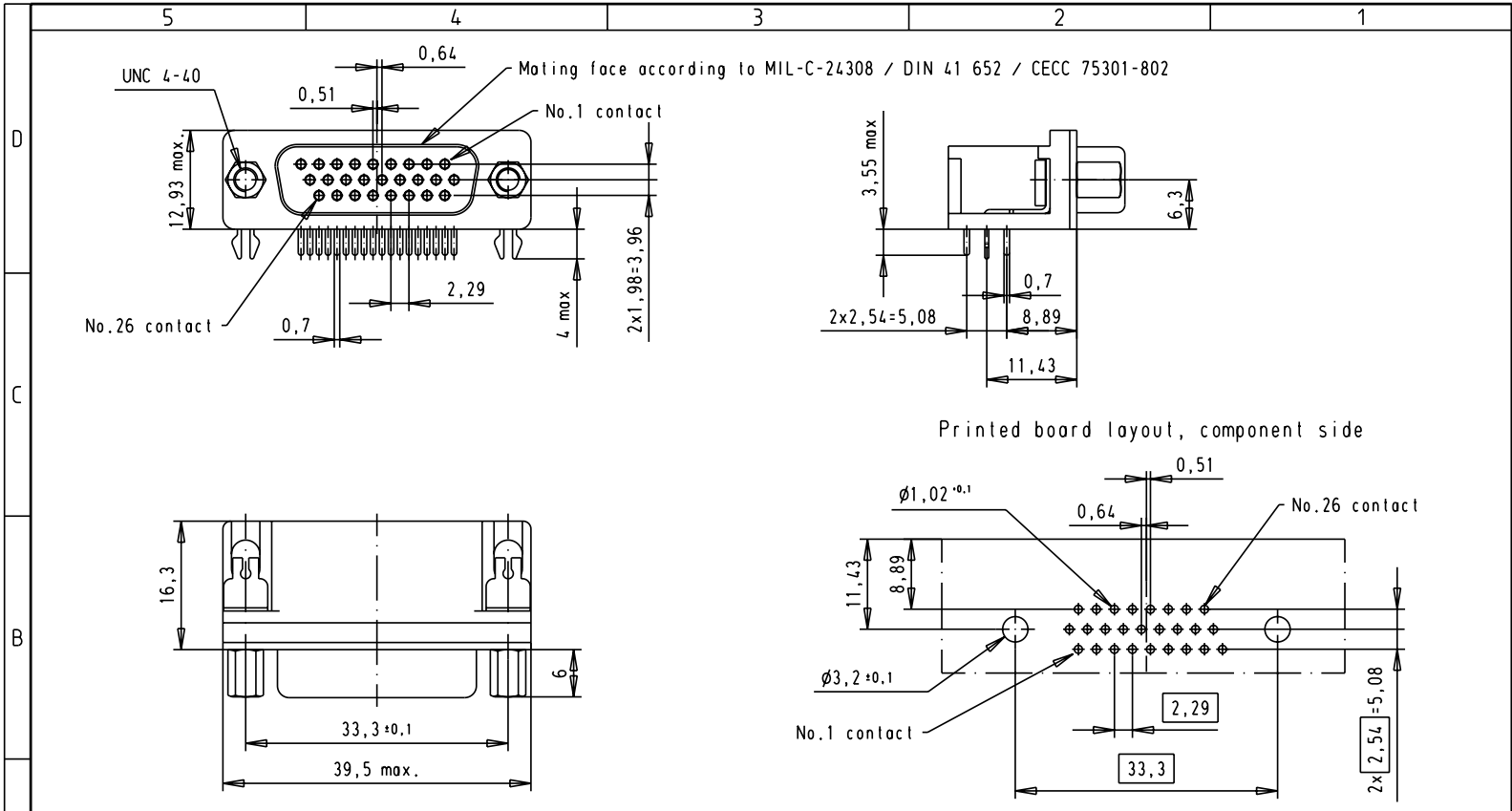
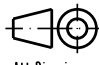



Alle Rechte vorbehalten / All rights reserved



Printed board layout, component side

					Dat.		Name		 All Dim. in mm Orig. Size DIN A 4	D-Sub, Female, High density 26 poles, angled, with screw lock and board lock	Maßstab/ Scale 1.5:1	
					Detail.		CV					
					Insp.							
					Stand.					<b>TB 0956252x613</b>	Blatt / Page 1 /	
					31485		16-04-03					HARTING EURL F-95972 Paris
					31352		16-OCT-02					
					31064		16-SEP-02					
Part number		Performance level		Mod.		Dat.		Name				
09562525613		0.76 μm Au						S.H.				
09562527613		3						S.H.				