



PRODUCTS

CIN::APSE
MICROMINIATURE
D-SUB

Filter D

Introduction
Features
▶ **Technical Data**
Part Numbering
Filter Adapter
Technical Information

IDC

Basic D
Military D
Accessories

OTHER TECHNOLOGY



FILTER D TECHNICAL DATA

Termination options	Solder bucket, flow solder, Straight & 90°, Mini wrap.				
Number of contacts	9	15	25	27	50
Maximum insertion and extraction force	30	50	83	123	167N
Performance level	1, 2 & 3				
Wire accommodation	≤ 0.5mm (20AWG)				
Plug contact material	Copper alloy				
Socket contact material	Copper alloy				
Current rating	5A				
Capacitance	330pF Tol +50%-20%, 1000pF and 2000pF Tol +80%-20%				
Working voltage	200V d.c. or a.c. peak				
Contact resistance	5 X 10 ⁻³ ohm max.				
Insulation resistance	≥ 5 X 10 ⁹ ohm				
Temperature range	-25°C to +85°C				
Insulator materials	High impact Epoxy & GF Polyester UL94V-0 rated				
Shell materials	Front: Steel-Bright tin finish with grounding indents on plugs Rear: Electrolytic Nickel				

[Back](#) [Site Map](#) [Print](#)



PRODUCTS

CIN::APSE
MICROMINIATURE
D-SUB

Filter D

- Introduction
- Features
- Technical Data
- ▶ **Part Numbering**
- Filter Adapter
- Technical Information

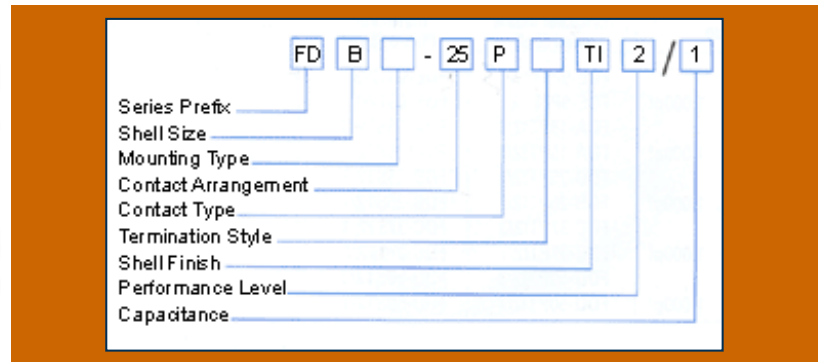
IDC

- Basic D
- Military D
- Accessories

OTHER TECHNOLOGY



FILTER D PART NUMBERING



Series Prefix	FD	Filtered D (Standard Prefix)
Shell Size	E, A, B, C, or D	(All standard)
Mounting Type	B	4-40 rivnut for rear panel mounting (Standard)
	P	M3 rivnut for rear panel mounting
	D	With female screw locks fitted
	E	4-40 clinch-nut for rear panel mounting with locking feature for high vibration applications
	Y	Universal float mount
	No designation	Ø3.05mm mounting hole (Standard) 90° Flow Solder versions are not available with float mounts
Contact Arrangement	9, 15, 25, 37, or 50	(All standard)
Contact Type	P or S	(Both Standard)
Termination Style		90° Flow Solder
European Footprint	1A0N	Without brackets
	1A2N	With plastic brackets and keeper moulding*
	1AEN	With earthing straps on plastic brackets (Standard) with keeper moulding*
	1ASN	With board locks, earthing straps, plastic (Standard) brackets and keeper moulding*
		* Please specify rivnuts or screw locks, mounting types B, P, or D (rivnuts Standard)
Straight Flow Solder	OL2	Termination 0.6mm, 5.3mm long.
	BL2	As OL2 with vertical Board locks 4/40 threads.
Solder Bucket		No designation required (Standard)
Shell Finish	T	Bright tin (Standard) Bright tin with grounding indents (plug only)
	TI	Nickel on rear shell (Standard)
Performance Level	1	Exceeds Din Class 2
	2	Din Class 2 (Standard)
	3	Exceed DIN Class 3



Capacitance	1	1000pF
	2	2000pF
	3	330pF

Custom of selectively loaded products available.
Consult sales or office

[Back](#) [Site Map](#) [Print](#)



PRODUCTS

CIN::APSE
MICROMINIATURE
D-SUB

Filter D

- Introduction
- Features
- Technical Data
- Part Numbering
- ▶ **Filter Adapter**
- Technical Information

IDC

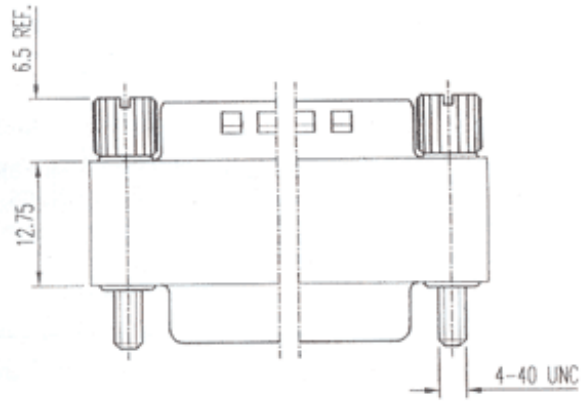
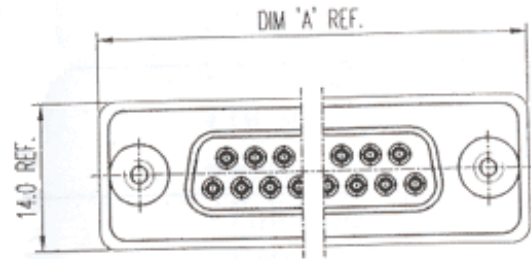
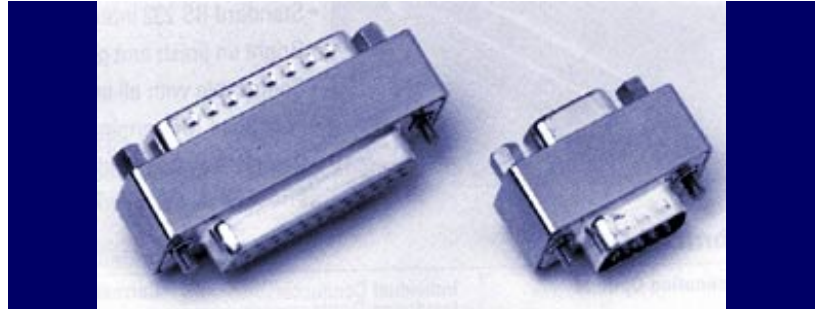
- Basic D
- Military D
- Accessories

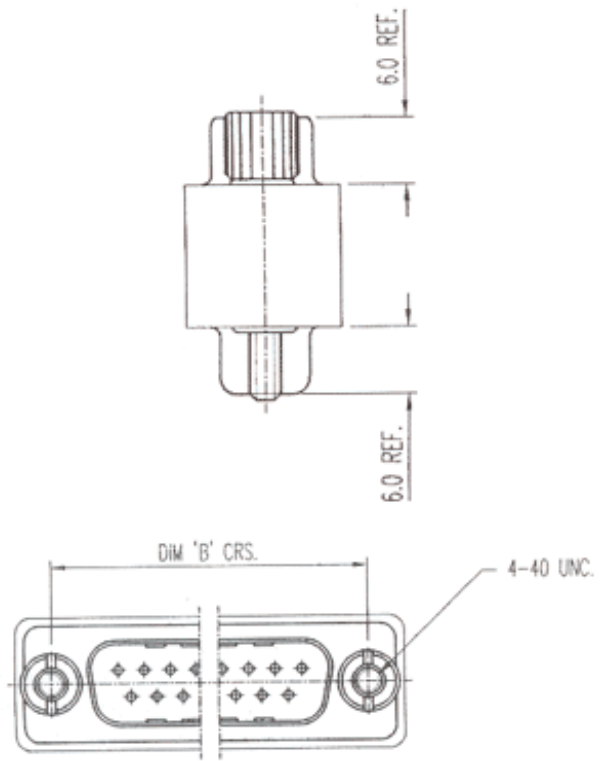
OTHER TECHNOLOGY



FILTER D FILTER ADAPTOR

Male / Female Filtering Adapter





[Back](#) [Site Map](#) [Print](#)



PRODUCTS

CIN::APSE
MICROMINIATURE
D-SUB

Filter D

- [Introduction](#)
- [Features](#)
- [Technical Data](#)
- [Part Numbering](#)
- [Filter Adapter](#)

► [Technical Information](#)

- [IDC](#)
- [Basic D](#)
- [Military D](#)
- [Accessories](#)

OTHER TECHNOLOGY



FILTER D TECHNICAL INFORMATION

Part Number	Working Voltage	Proof Voltage	Capacitance To Ground	Capacitance Tolerance	Temperature Range	DIM "A" REF.	DIM "B" REF.
FA9 PS/1	200V *	500V	1000pF	+80% - 20%	-25°C to +85°C	32.7	24.99
FA9PS/3			330pF	+50% - 20%			
FA15 PS/1	200V *	500V	1000pF	+80% - 20%	-25°C to +85°C	41.0	33.32
FA15 PS/3			330pF	+50% - 20%			
FA25 PS/1	200V *	500V	1000pF	+80% - 20%	-25°C to +85°C	54.9	47.04
FA25 PS/3			330pF	+50% - 20%			
FA37 PS/1	200V *	500V	1000pF	+80% - 20%	-25°C to +85°C	71.2	63.50
FA37 PS/3			330pF	+50% - 20%			

*DC or AC PEAK

GENERAL SPECIFICATION - MECHANICAL, ELECTRICAL & ENVIRONMENTAL PERFORMANCE IN LINE WITH REQUIREMENTS OF DIN CLASS 2

[Back](#) [Site Map](#) [Print](#)



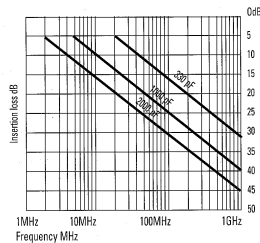
Edition 11/98

FILTER D CONNECTORS

CINCH has been producing filter connectors for years and has acquired an in depth knowledge of EMC protection. CINCH offers fast delivery on a wide range of standard filtered connectors and will be your partner to design the product you need to meet European and FCC regulations.

Features

- The Cinch Filter D Sub is a high quality turned pin contact connector.
- Tubular capacitors are individually inserted on each contact.
- The encapsulation of capacitors is made with epoxy for maximum resistance to hazardous environments.
- Cinch filter D Sub have the same size and footprint as standard D Sub connectors.
- Meets the relevant dimensional requirements of CECC 73301- 802, MIL-C 24308, DIN 41652, BS 9523 F0013, BT 217, HE501.
- Bright tin or nickel finish with grounding indent for EMI/RFI shielding.



Typical performance relates to 50 Ω system
Mil -Std. - measured at 1 KHz 0.1 rms

1-1000 pF
2-2000 pF
3-330 pF

Technical Data

Termination options	Solder bucket, Flow solder, Straight & 90°, Mini wrap.
Number of contacts	9 15 25 27 50
Maximum insertion and extraction force	30 50 83 123 167N
Performance level	1,2 & 3
Wire accommodation	≤ 0,5 mm ² (20 AWG)
Plug contact material	Copper alloy
Socket contact material	Copper alloy

Current rating	5A
Capacitance	330 pF Tol + 50% - 20%, 1000 pF and 2000pF Tol + 80% - 20%
Working voltage	200 V d.c. or a.c. peak
Contact resistance	5 x 10 ⁻³ Ω max
Insulation resistance	≥ 5 x 10 ¹⁰ Ω
Temperature range	- 40° to + 125°C
Insulator materials	High impact Epoxy & GF Polyester UL94V-0 rated
Shell materials	Front: Steel-Bright tin finish with grounding indents on plugs Rear: Electrolytic Nickel

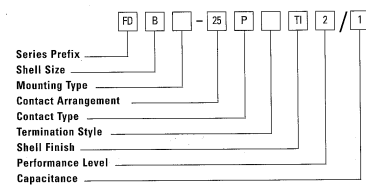
14



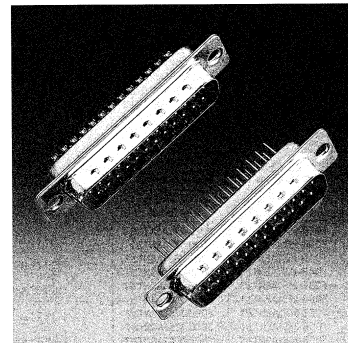
Edition 11/98

FILTER D CONNECTORS

Part Numbering



Series Prefix	FD	- Filtered D (Standard Prefix)
Shell Size	E, A, B, C or D (All Standard)	
Mounting Type	B	- 4-40 rivnut for rear panel mounting (Standard)
	P	- M3 rivnut for rear panel mounting
	D	- With female screw locks fitted
	E	- 4-40 clinch-nut for rear panel mounting with locking feature for high vibration applications
	F	- Float mount for rear panel mounting
	Y	- Universal float mount
No designation		- Ø 3.05 mm mounting hole (Standard) 90° Flow Solder versions are not available with float mounts
Contact Arrangement	9, 15, 25, 37 or 50 (All Standard)	
Contact Type	P or S (Both Standard)	
Termination Style	90° Flow Solder	
European Footprint	1A0N	- Without brackets (Standard)
	1A2N	- With plastic brackets and keeper moulding
	1AEN	- With earthing straps on plastic brackets (Standard) with keeper moulding"
	1ASN	- With board locks, earthing straps, plastic (Standard) bracket and keeper moulding"
	*Please specify rivnuts or screw locks, mounting types B, P, or D (rivnuts Standard)	
Straight Flow Solder	OL2	- Termination 0.6 mm, 5.3 mm long (Standard)
	BL2	- As OL2 with vertical Boardlocks 4/40 threads
	F179A	- 0.61 mm square section pins for up to 3 wrap.
Solder Bucket No designation required (Standard)		
Shell Finish	T	- Bright tin (Standard)
	TI	- Bright tin with grounding indents (plugs only)
		- Nickel on rear shell
(Standard)		
Performance Level	1	- Exceeds Din Class 2
	2	- Din Class 2 (Standard)
	3	- Exceeds DIN Class 3
Capacitance	1	- 1000 pF
	2	- 2000 pF
	3	- 330 pF
	Custom or selectively loaded products available. Consult sales office.	



15

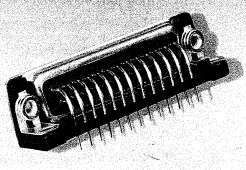


Best Sellers

FILTERED D

Solder Bucket

Number of Contacts	Performance Level	Capacitance Value	Plug		Socket	
			Tin/Nickel Indent Plated Shell	Tin/Nickel Plated Shell	Tin/Nickel Indent Plated Shell	Tin/Nickel Plated Shell
9	2	330pf	FDE-9PTI2/3	FDE-9ST2/3	FDE-9PTI2/1	FDE-9ST2/1
15	2	330pf	FDA-15PTI2/3	FDA-15ST2/3	FDA-15PTI2/1	FDA-15ST2/1
25	2	330pf	FDB-25PTI2/3	FDB-25ST2/3	FDB-25PTI2/1	FDB-25ST2/1
37	2	330pf	FDC-37PTI2/3	FDC-37ST2/3	FDC-37PTI2/1	FDC-37ST2/1
50	2	330pf	FDD-50PTI2/3	FDD-50ST2/3	FDD-50PTI2/1	FDD-50ST2/1



Straight PCB Mount

Number of Contacts	Performance Level	Capacitance Value	Plug		Socket	
			Tin/Nickel Indent Plated Shell	Tin/Nickel Plated Shell	Tin/Nickel Indent Plated Shell	Tin/Nickel Plated Shell
9	2	330pf	FDE-9POL2T2/3	FDE-9SOL2T2/3	FDE-9POL2T2/1	FDE-9SOL2T2/1
15	2	330pf	FDA-15POL2T2/3	FDA-15SOL2T2/3	FDA-15POL2T2/1	FDA-15SOL2T2/1
25	2	330pf	FDB-25POL2T2/3	FDB-25SOL2T2/3	FDB-25POL2T2/1	FDB-25SOL2T2/1
37	2	330pf	FDC-37POL2T2/3	FDC-37SOL2T2/3	FDC-37POL2T2/1	FDC-37SOL2T2/1
50	2	330pf	FDD-50POL2T2/3	FDD-50SOL2T2/3	FDD-50POL2T2/1	FDD-50SOL2T2/1

90° PCB - Plug

Number of Contacts	Performance Level	Capacitance Value	Open Frame		Earthing Straps		Snap In Boardlock	
			Tin/Nickel Indent Plated Shell	Tin Indent Shell 4-40 Rivnut	Tin Indent Shell 4-40 Rivnut	Tin Indent Shell 4-40 Rivnut	Tin Indent Shell 4-40 Rivnut	Tin Indent Shell 4-40 Rivnut
9	2	330pf	FDE-9P1AONT2/3	FDEB-9P1AENT2/3	FDEB-9P1AENT2/1	FDEB-9P1ASNT2/3	FDEB-9P1ASNT2/1	
15	2	330pf	FDA-15P1AONT2/3	FDEB-15P1AENT2/3	FDEB-15P1AENT2/1	FDEB-15P1ASNT2/3	FDEB-15P1ASNT2/1	
25	2	330pf	FDB-25P1AONT2/3	FDEB-25P1AENT2/3	FDEB-25P1AENT2/1	FDEB-25P1ASNT2/3	FDEB-25P1ASNT2/1	
37	2	330pf	FDC-37P1AONT2/3	FDEB-37P1AENT2/3	FDEB-37P1AENT2/1	FDEB-37P1ASNT2/3	FDEB-37P1ASNT2/1	
50	2	330pf	FDD-50P1AONT2/3	FDEB-50P1AENT2/3	FDEB-50P1AENT2/1	FDEB-50P1ASNT2/3	FDEB-50P1ASNT2/1	

90° PCB - Socket

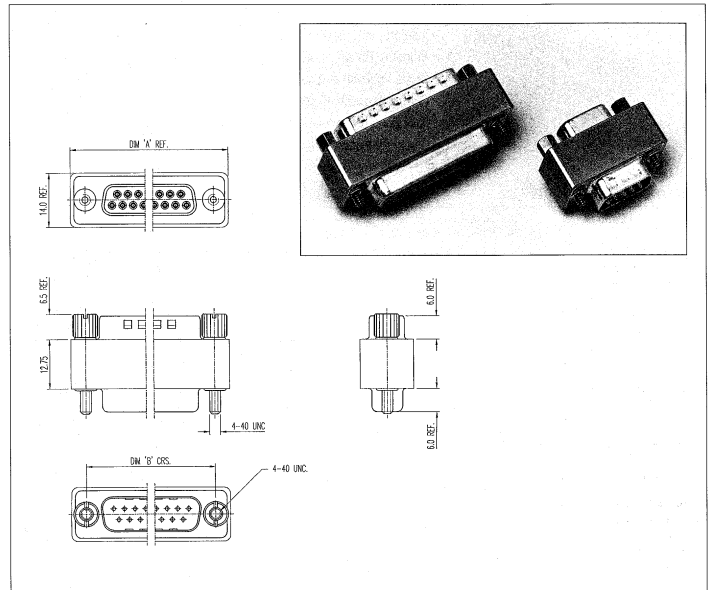
Number of Contacts	Performance Level	Capacitance Value	Open Frame		Earthing Straps		Snap In Boardlock	
			Tin/Nickel Plated Shell	Tin Shell 4-40 Rivnut	Tin Shell 4-40 Rivnut	Tin Shell 4-40 Rivnut	Tin Shell 4-40 Rivnut	
9	2	330pf	FDE-9S1AONT2/3	FDEB-9S1AENT2/3	FDEB-9S1AENT2/1	FDEB-9S1ASNT2/3	FDEB-9S1ASNT2/1	
15	2	330pf	FDA-15S1AONT2/3	FDEB-15S1AENT2/3	FDEB-15S1AENT2/1	FDEB-15S1ASNT2/3	FDEB-15S1ASNT2/1	
25	2	330pf	FDB-25S1AONT2/3	FDEB-25S1AENT2/3	FDEB-25S1AENT2/1	FDEB-25S1ASNT2/3	FDEB-25S1ASNT2/1	
37	2	330pf	FDC-37S1AONT2/3	FDEB-37S1AENT2/3	FDEB-37S1AENT2/1	FDEB-37S1ASNT2/3	FDEB-37S1ASNT2/1	
50	2	330pf	FDD-50S1AONT2/3	FDEB-50S1AENT2/3	FDEB-50S1AENT2/1	FDEB-50S1ASNT2/3	FDEB-50S1ASNT2/1	

FILTER ADAPTOR



Edition 11/88

Male / Female Filtering Adaptor



Technical, Part Numbering Information

	Working Voltage	Proof Voltage	Capacitance To Ground	Capacitance Tolerance	Temperature Range	DIM "A" REF.	DIM "B" REF.
FA 9 PS/1	200V DC OR AC PEAK	500V	1000 pF	+80% - 20%	-40° +125°C	32.7	24.99
FA 9 PS/3			330 pF	+50% - 20%			
FA 15 PS/1	200V DC OR AC PEAK	500V	1000 pF	+80% - 20%	-40° +125°C	41.0	33.32
FA 15 PS/3			330 pF	+50% - 20%			
FA 25 PS/1	200V DC OR AC PEAK	500V	1000 pF	+80% - 20%	-40° +125°C	54.9	47.04
FA 25 PS/3			330 pF	+50% - 20%			
FA 37 PS/1	200V DC OR AC PEAK	500V	1000 pF	+80% - 20%	-40° +125°C	71.2	63.50
FA 37 PS/3			330 pF	+50% - 20%			

GENERAL SPECIFICATION - MECHANICAL, ELECTRICAL & ENVIRONMENTAL PERFORMANCE IN LINE WITH REQUIREMENTS OF DIN CLASS 2