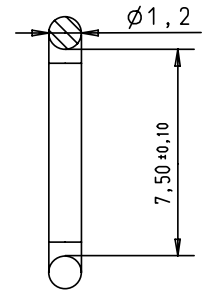
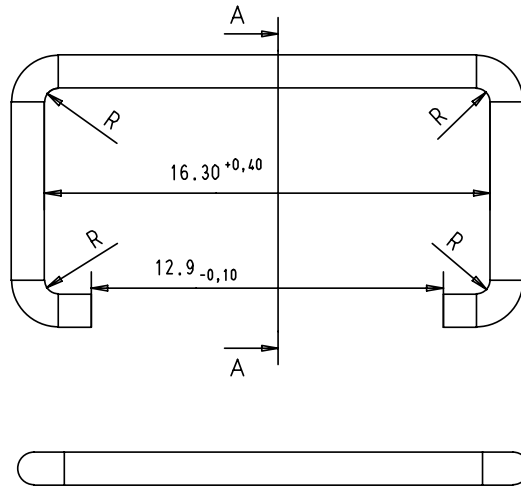




Alle Rechte vorbehalten All rights reserved

R=0.5



section AA

material : stainless steel

Mod.	Det.	Name	Det.	Name	 All Dim. in mm Orig. Size DIN A 4	strain relief D-SUB 9 poles	Meßstab/ Scale	
			Detail.	12/07/01			S.H.	5:1
			Insp.					
			Stand.					
29729	05/11/01	S.H.	HARTING ELEKTRONIK			TB 09661080000	Blatt/ Page	
29698	12/07/01	S.H.	F-95972 Paris				1 / 1	