



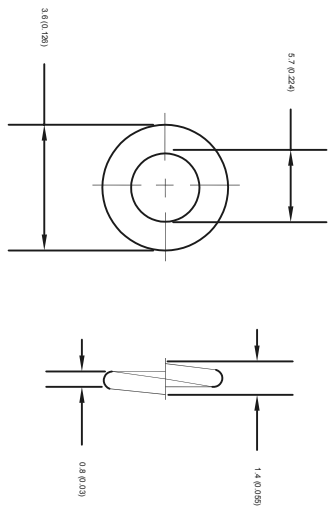
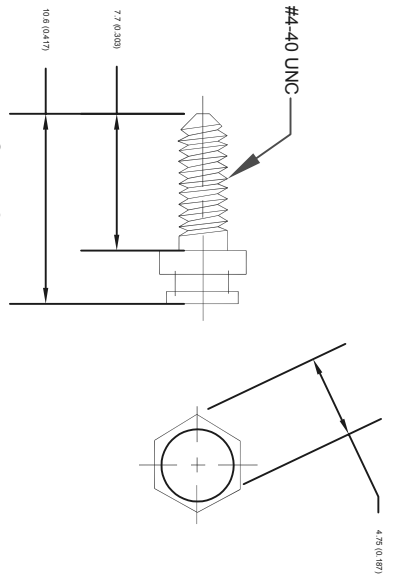
SPC  
TECHNOLOGY

ALL RIGHTS RESERVED. NO PORTION OF THIS PUBLICATION, WHETHER IN WHOLE OR IN PART CAN BE REPRODUCED WITHOUT THE EXPRESS WRITTEN CONSENT OF SPC TECHNOLOGY.

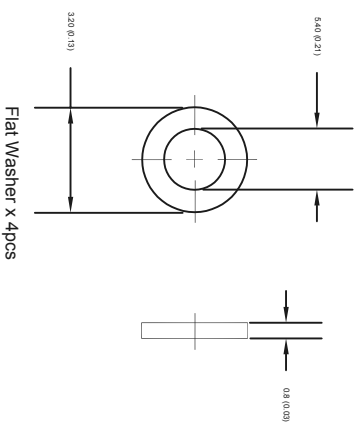
SPC-F005.DWG

REVISIONS		DOC. NO.	DATE	CHECKD	DATE	APPRVD	DATE
DCP #	REV	DESCRIPTION	DRAWN	DATE	CHECKD	DATE	APPRVD
			VEE	13-08-10	JAG	19-08-10	XXX
							27-08-10

DOC. NO. SPC-F005 \* Effective: 7/8/02 \* DCP No: 1398



- Material:**
1. Screw: Brass, Yellow Chromated
  2. Nut: Steel, Yellow Chromated
  3. Split Washer: Steel, Yellow Chromated
  4. Flat Washer: Steel, Yellow Chromated



Dimensions : Inches (mm)

**Part Number Table**

Description	Part Number
Slide Lock Post	SPC21091

**DISCLAIMER:**  
 ALL STATEMENTS AND TECHNICAL INFORMATION CONTAINED HEREIN ARE BASED UPON INFORMATION AND/OR TESTS WE BELIEVE TO BE ACCURATE AND RELIABLE. SINCE CONDITIONS OF USE ARE BEYOND OUR CONTROL, THE USER SHALL DETERMINE THE SUITABILITY OF THE PRODUCT FOR THE INTENDED USE AND ASSUME ALL RISK AND LIABILITY WHATSOEVER IN CONNECTION THEREWITH.

TOLERANCES: UNLESS OTHERWISE SPECIFIED, DIMENSIONS ARE FOR REFERENCE PURPOSES ONLY.

DRAWN BY:	VEE	DATE:	13-08-10
CHECKED BY:	JAG	DATE:	19-08-10
APPROVED BY:	XXX	DATE:	27-08-10

DRAWING TITLE:		ELECTRONIC FILE	
Slide Lock Post		84N1375	
SCALE:	NTS	U.O.M.:	INCHES [mm]
SHEET:	1	OF	1