

PRODUCT DESCRIPTION

Screw sets and mounting accessories are available for all Thomas & Betts "D" Connectors, facilitating any type of installation (e.g. front panel mounting coupling, combination of Thomas & Betts "D" Connectors and standard "D" connectors employing other connection techniques).

609-001

Screwlock Assembly

- locks a plastic or metal shell "D" connector to another rear panel mounted plastic or metal shell "D" connector

Panel thickness 3.2 (.13) mm max. Use 779-6211 retaining ring installation tool

609-002

Jackscrew Assembly

- locks a plastic or metal shell "D" connector to a jackscrew

Use 779-6210 retaining ring installation tool

609-003

Jackscrew Assembly

- locks a plastic or metal shell "D" connector with a jackscrew to any other front panel mounted "D" connector

Panel thickness 5.0 (.196) mm max.

609-004

Jackscrew Assembly

- locks plastic "D" connectors with backshells or metal "D" connectors with backshells with a jackscrew assembly to any "D" connector

Use 779-6210 retaining ring installation tool.

609-005

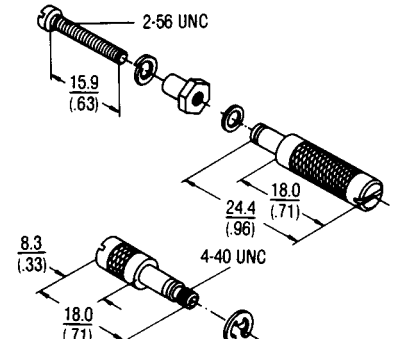
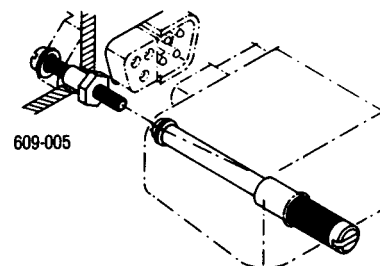
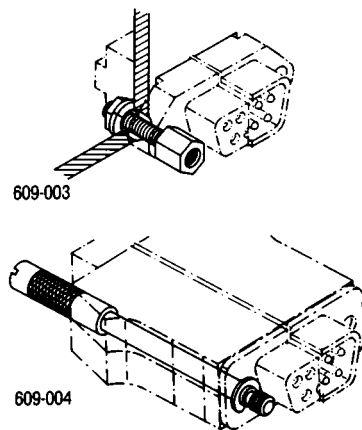
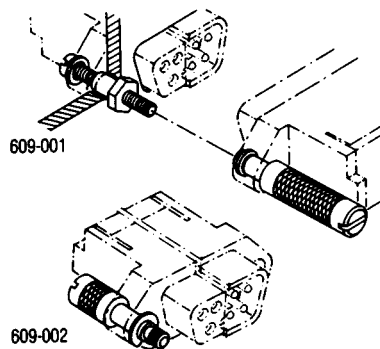
Backshell Screwlock Assembly

- locks plastic "D" connector to another rear panel mounted plastic with "D" connector with backshell

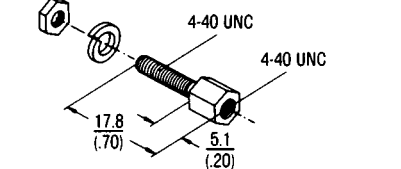
Panel thickness 3.2 (.13) mm max.

Use 779-6211 retaining ring installation tool.

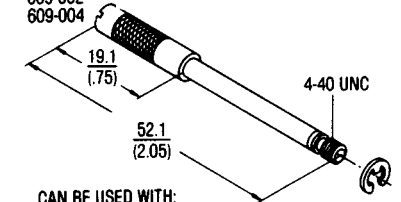
HARDWARE FOR PLASTIC AND METAL SHELL "D" CONNECTORS, 9-37 POSITION



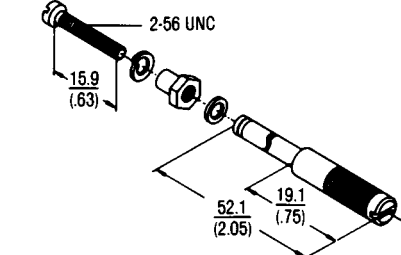
CAN BE USED WITH:
609-003
609-006-1
609-007-1



CAN BE USED WITH:
609-002
609-004



CAN BE USED WITH:
609-003
609-006-1
609-007-1



609-006-1

Jacksocket Assembly

- for plastic "D" connector and metal (622) "D" connector
- connects rear panel mounted "D" connector through jackscrew assembly to any "D" connector

Panel thickness 1.6 (.06) mm max.

609-007-1

Jacksocket Assembly

- similar to 609-003, but for panel thickness 2.4 (.09) to 3.2 (.13) mm max.

609-008-50

Slide Lock Post

- locks 50 position "D" connector (with or without rear panel mounting) through slide lock retainer to any 50 position "D" connector

Panel thickness 2.4 (.09) mm max.

609-009-50

Jacksocket Assembly

- locks rear panel mounted 50 position "D" connector through a jackscrew assembly to discrete wire 50 position "D" connector

Panel thickness 1.6 (.06) mm max.

609-50 BL

Bail Lock Assembly

- locks rear panel mounted 50 position "D" connector through backshell with bail mount ears for bail lock assembly 622-050XXX to any 50 position "D" connector

Panel thickness 1.6 (.06) mm max.

609-50 SL

Slide Lock Retainer

- locks 50 position "D" connector through slide lock post to any 50 position "D" connector with or without rear panel mounting.

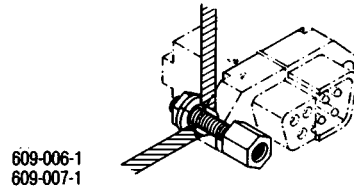
609-002

Jackscrew Assembly

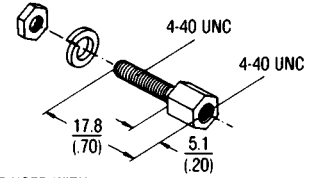
- retains 50 position "D" connectors with backshell for IPI-compatible interfaces through jacksocket assembly.

Use 779-6210 retaining ring installation tool.

HARDWARE FOR PLASTIC AND METAL SHELL "D" CONNECTORS 50 POSITION



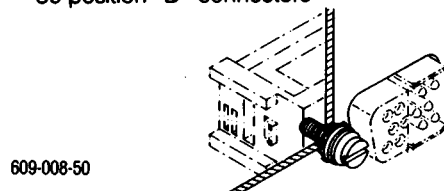
609-006-1
609-007-1



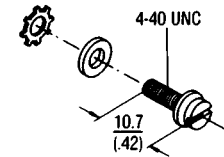
CAN BE USED WITH:
609-002
609-004

609-006-1 1.3 (.05)
609-007-1 2.2 (.09)

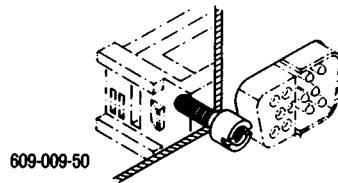
Application for
50 position "D" connectors



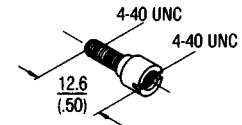
609-008-50



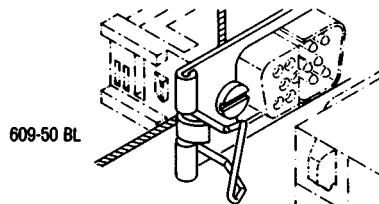
CAN BE USED WITH:
609-50SL



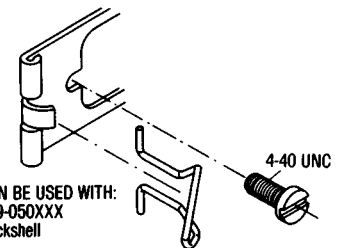
609-009-50



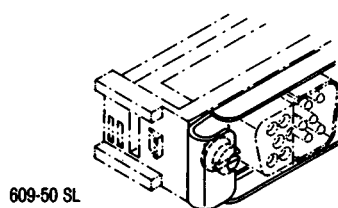
CAN BE USED WITH:
4-40 UNC
Jackscrews



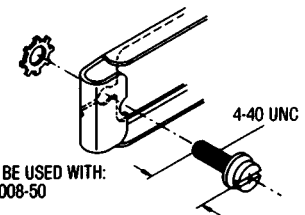
609-50 BL



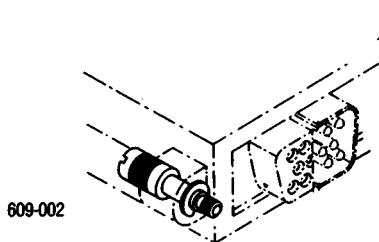
CAN BE USED WITH:
609-050XXX
Backshell



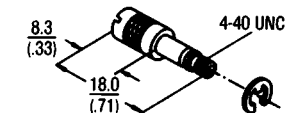
609-50 SL



CAN BE USED WITH:
609-008-50



609-002



CAN BE USED WITH:
609-006-1
609-007-1



LR92984 E60980