



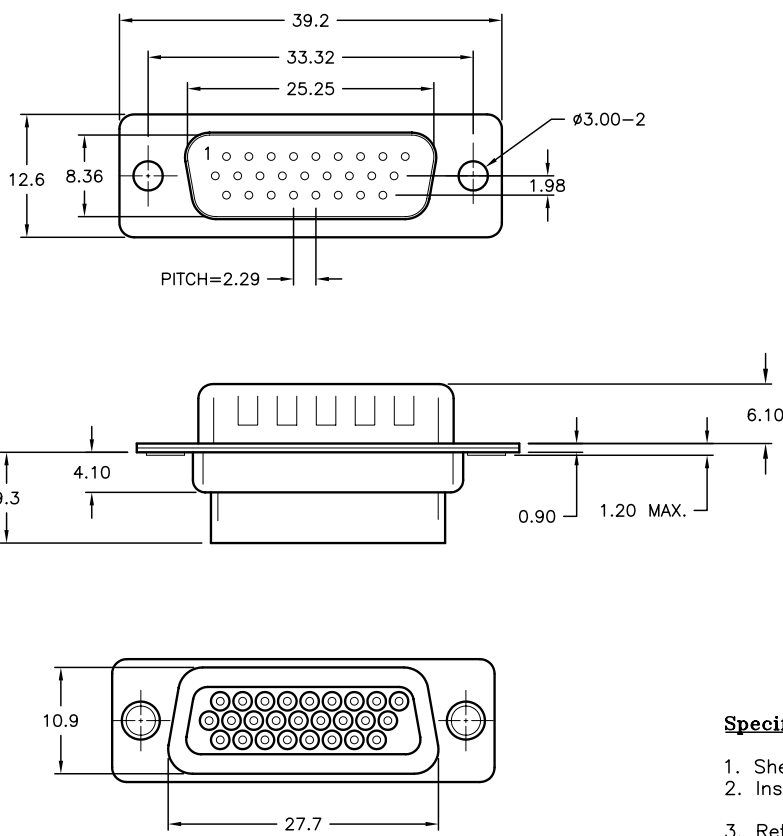
ALL RIGHTS RESERVED. NO PORTION OF THIS PUBLICATION, WHETHER IN WHOLE OR IN PART CAN BE REPRODUCED WITHOUT THE EXPRESS WRITTEN CONSENT OF SPC TECHNOLOGY.

SPC-F005.DWG

REVISIONS

DOC. NO. SPC-F005 * Effective: 7/8/02 * DCP No: 1398

DCP #	REV	DESCRIPTION	DRAWN	DATE	CHECKD	DATE	APPRVD	DATE
1876	A	RELEASED	EO	07/25/06	SA	07/25/06	HO	07/25/06



Specifications:

1. Shell: Steel, Tin Plated
2. Insulator: PBT +30% Fiber Glass, Black UL94V-0 Rated
3. Retention Springs: Stainless Steel

DISCLAIMER: ALL STATEMENTS AND TECHNICAL INFORMATION CONTAINED HEREIN ARE BASED UPON INFORMATION AND/OR TESTS WE BELIEVE TO BE ACCURATE AND RELIABLE. SINCE CONDITIONS OF USE ARE BEYOND OUR CONTROL, THE USER SHALL DETERMINE THE SUITABILITY OF THE PRODUCT FOR THE INTENDED USE AND ASSUME ALL RISK AND LIABILITY WHATSOEVER IN CONNECTION THEREWITH.

TOLERANCES: Unless Otherwise Specified .X ± 0.2 [0.008] .XX ± 0.12 [0.005]	DRAWN BY: EKLAS ODISH	DATE: 07/25/06	DRAWING TITLE: 26 Pin High-Density D-Sub Crimp Type Plug		
	CHECKED BY: SAMI ALNADI	DATE: 07/25/06	SIZE: A	DWG. NO.: SPC15255	ELECTRONIC FILE: 79K4852.DWG
	APPROVED BY: HISHAM ODISH	DATE: 07/25/06	SCALE: NTS		U.O.M.: mm [INCHES]
				SHEET: 1 OF 1	REV: A