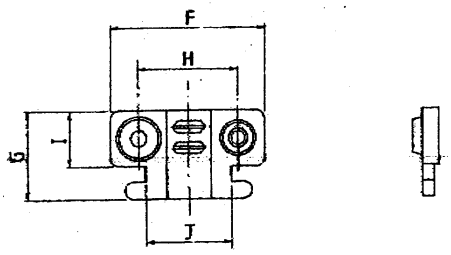
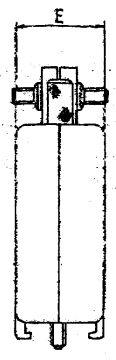
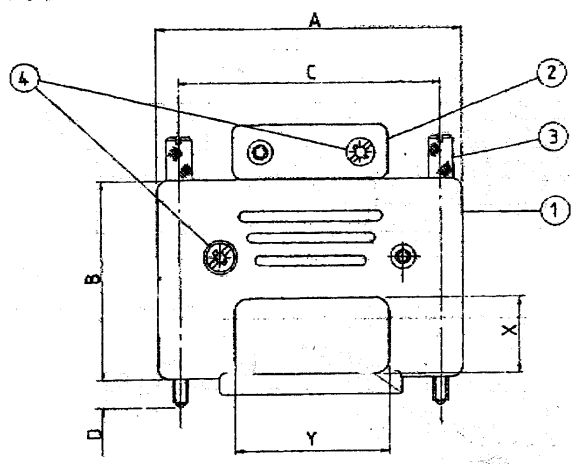


rd Angle projection



STRAIN RELIEF DETAIL

Part No...	CONNECTOR DIMENSIONS						STRAIN RELIEF TYPE
	DESCRIPTION	A	B	C	D	E	
DE77762-09	9 WAY	33	36	25.0	5	16	1A
DA77762-15	15 WAY	42	36	33.3	5	16	2A
DB77762-25	25 WAY	54	36	47.0	5	16	3A
DC77762-37	37 WAY	71	36	63.5	5	16	3A
DD77762-50	50 WAY	69	36	63.1	5	19	2A

STRAIN RELIEF DIMENSIONS						
TYPE	F	G	H	I	J	
1A	17	13	10	8	11.6	
2A	24	13	16	8	11.6	
3A	28	16	18	10	15.5	

SCHEDULE OF CONNECTOR PARTS				
DESCRIPTION	REF.1 Hood	REF.2 Strain relief	REF.3 Jack screw 4-40 UNLC	REF.4 Tap Tite screw Posi. span
QTY	2 off	2 off	2 off	4 off
9 WAY	Part# 00043	Type 1A	Part# 00380	Part# 00355
15 WAY	" " 00041	" 2A	" " "	" " "
25 WAY	" " 00042	" 3A	" " "	" " "
37 WAY	" " 00040	" 3A	" " "	" " "
50 WAY	" " 00039	" 2A	" " "	" " "

REF.4 Tap Tite screw - M4 x 1/2 steel post/lot combination pan head type 'B' self tapping screw to B.S. 4174 - Finish chemically blacked.

TITLE 'D' TYPE CONNECTOR DETAIL D*77762-** (eg. DA77762-15)	DIMENSIONS Millimetres	DRAWN D.H.S.
	GEN TOL See detail	CHECKED
	DATE 7-6-91	DRAWING N° D* 77762-**