



ALL RIGHTS RESERVED. NO PORTION OF THIS PUBLICATION, WHETHER IN WHOLE OR IN PART CAN BE REPRODUCED WITHOUT THE EXPRESS WRITTEN CONSENT OF SPC TECHNOLOGY.

SPC-F005.DWG

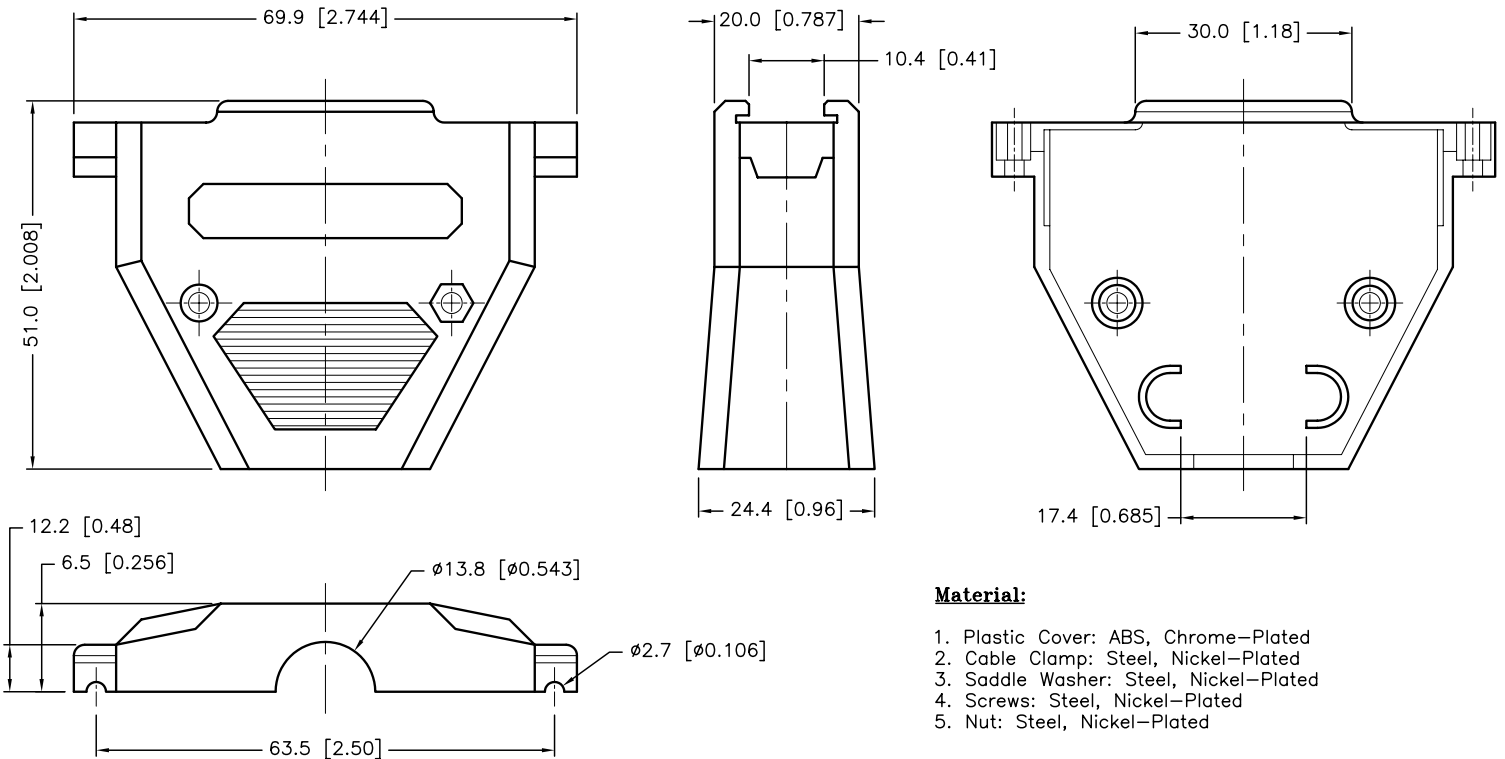
REVISIONS

DOC. NO. SPC-F005 • Effective: 7/8/02 • DCP No: 1398

DCP #	REV	DESCRIPTION	DRAWN	DATE	CHECKD	DATE	APPRVD	DATE
1876	A	RELEASED	EO	04/27/06	TL	5/15/06	HO	5/15/06



RoHS Compliant



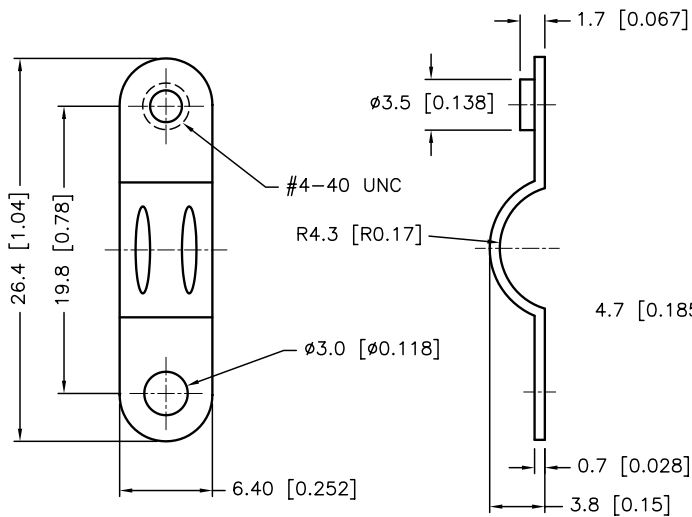
DISCLAIMER:  
ALL STATEMENTS AND TECHNICAL INFORMATION CONTAINED HEREIN ARE BASED UPON INFORMATION AND/OR TESTS WE BELIEVE TO BE ACCURATE AND RELIABLE. SINCE CONDITIONS OF USE ARE BEYOND OUR CONTROL, THE USER SHALL DETERMINE THE SUITABILITY OF THE PRODUCT FOR THE INTENDED USE AND ASSUME ALL RISK AND LIABILITY WHATSOEVER IN CONNECTION THEREWITH.

TOLERANCES:

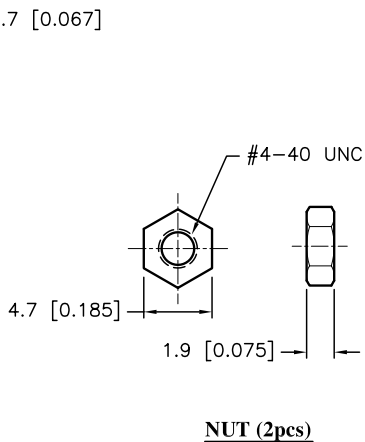
Unless Otherwise Specified  
.X  $\pm 0.2$  [0.008]  
.XX  $\pm 0.12$  [0.005]

DRAWN BY:	DATE:
EKLAS ODISH	04/27/06
CHECKED BY:	DATE:
THOMAS LEE	5/15/06
APPROVED BY:	DATE:
HISHAM ODISH	5/15/06

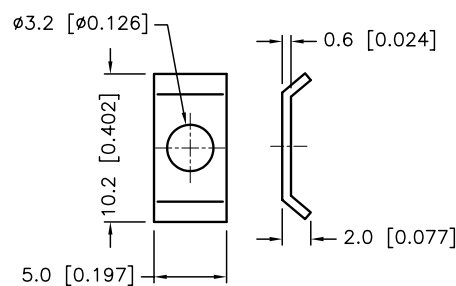
DRAWING TITLE: 37 PIN D-SUB STRAIGHT METALLIZED, PLASTIC COVER, RoHS			
SIZE	DWG. NO.	ELECTRONIC FILE	REV
A	SPC15202	79K4804.DWG	A
SCALE: NTS	U.O.M.: mm [INCHES]	SHEET: 1 OF 2	



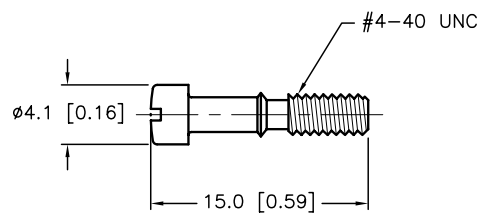
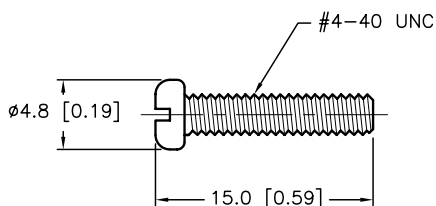
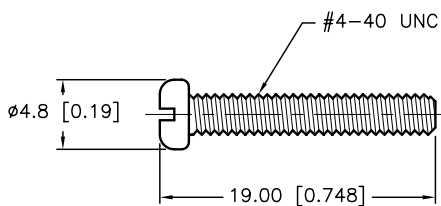
**CABLE CLAMP X2pcs**



**NUT (2pcs)**



**SADDLE WASHER (2pcs)**



**SCREWS (2pcs each)**

ALL RIGHTS RESERVED. NO PORTION OF THIS PUBLICATION, WHETHER IN WHOLE OR IN PART CAN BE REPRODUCED WITHOUT THE EXPRESS WRITTEN CONSENT OF SPC TECHNOLOGY.

SIZE  
A

DWG. NO.

SPC15202

ELECTRONIC FILE

79K4804.DWG

REV  
A

SPC-F005.DWG

DOC. NO. SPC-F005 \* Effective: 7/8/02 \* DCP No: 1398

SCALE: NTS

U.O.M.: mm [INCHES]

SHEET: 2 OF 2