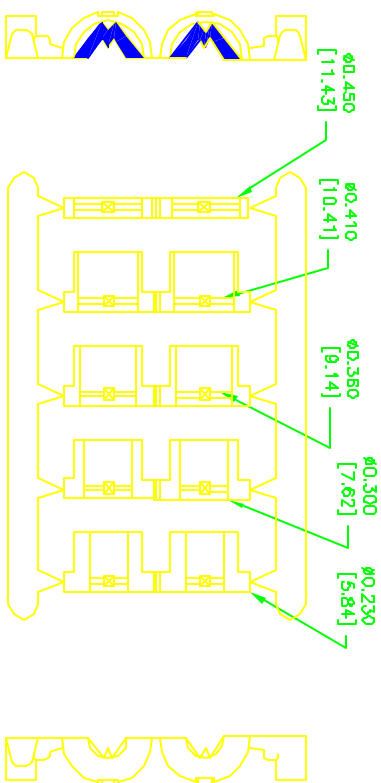
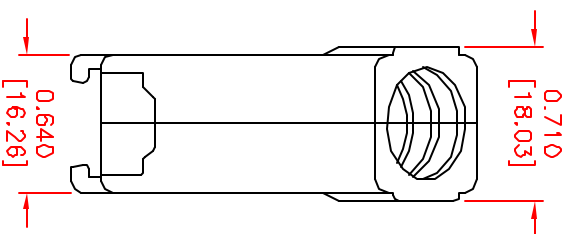
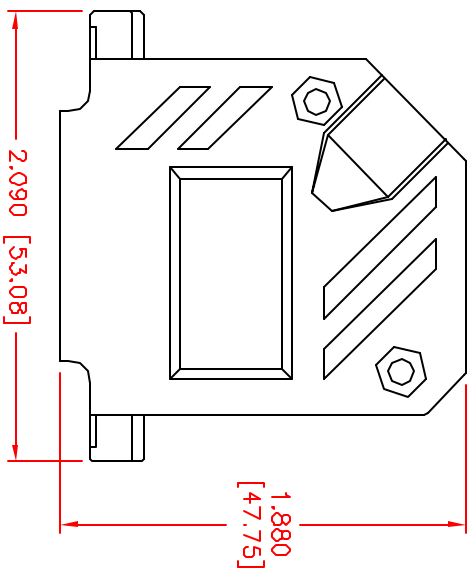
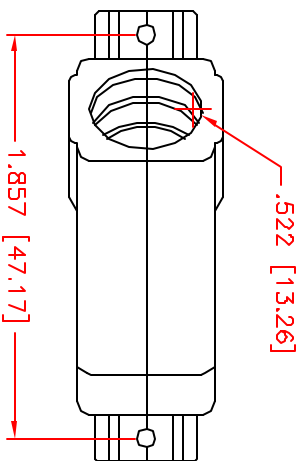


ALL RIGHTS RESERVED. NO PORTION OF THIS PUBLICATION, WHETHER IN WHOLE OR IN PART, CAN BE REPRODUCED WITHOUT THE EXPRESS WRITTEN CONSENT OF SPC TECHNOLOGY.

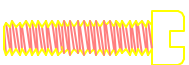
SPC-FD05.DWG

REVISIONS		DOC. NO. SPC-FD05	Effective: 7/8/02	DCP No.: 1368				
DCP #	REV	DESCRIPTION	DRAWN	DATE	CHECKD	DATE	APPRVD	DATE
1789	A	RELEASED	DCM	2/28/07	JIN	2/12/08	JIN	2/12/08

- Connector Cover
- Material: Thermoplastic UL94V-0
- Color: Gray
- Jacket Insert Tree
- Material Polypropylene Homopolymer
- Color: Black



Jacket Insert Tree



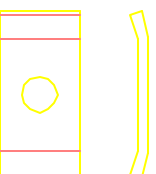
#4-40 x 7/6", fillister head machine screw, C.R. Steel, Zinc Plated (Hexavalent Chromium Free) (2 pcs)



#4-40, #2 Blank Hex Nut, 1010 Steel, Zinc Plated (Hexavalent Chromium Free) (2 pcs)



#4-40 x 1/2", fillister head captive screw, C.R. Steel, Zinc Plated (Hexavalent Chromium Free) (2 pcs)



#4 Saddle Washer, C.R. Steel, Zinc Plated (Hexavalent Chromium Free) (2 pcs)

DISCLAIMER:
ALL STATEMENTS AND TECHNICAL INFORMATION CONTAINED HEREIN ARE BASED UPON INFORMATION AND/OR TESTS WE BELIEVE TO BE ACCURATE AND RELIABLE. SINCE CONDITIONS OF USE ARE BEYOND OUR CONTROL, THE USER SHALL DETERMINE THE SUITABILITY OF THE PRODUCT FOR THE INTENDED USE AND ASSUME ALL RISK AND LIABILITY WHATSOEVER IN CONNECTION THEREWITH.

TOLERANCES:
UNLESS OTHERWISE SPECIFIED, DIMENSIONS ARE FOR REFERENCE PURPOSES ONLY.

DRAWN BY:	Don McVicker	DATE:	2/28/07
CHECKED BY:	Jason Nash	DATE:	2/12/08
APPROVED BY:	Jason Nash	DATE:	2/12/08

DRAWING TITLE:		2-PIECE 45° D-Sub Cover, 25 Contacts	
SIZE	DWG. NO.	ELECTRONIC FILE	REV
A	SPC14939	80K5572.dwg	A
SCALE:	NTS	U.O.M.: INCHES [mm]	SHEET: 1 OF 1