

# D-subminiature

## Backshells - Super D SDH Series

### Features

- The Cinch Super D Interconnection System is a simple, fast, economical, and reliable way for mating connectors from cable to cable or cable to panel.
- Snap-on Super D plastic hoods captivate connectors providing positive, self-latching, audible mating with reliable retention and Latch-N-Lock quick release disconnect.
- Snap-on Super-D plastic hoods are also available with filler ends to utilize 4-40 mounting hardware.
- Super D hoods are available:
  - Straight (180°) or Right-Angle (90°) cable entry.
  - Sizes: 9, 15, 25, and 37.
  - Sizes 15, 25, and 37 are available in standard or large cable openings.
- Black SDH backshells accommodate any standard metal shell IDC, solder cup, or crimp and poke D-subminiature connector.
- Gray SDH backshells accommodate the Cinch All-Plastic IDC T-Series connector.
- Each Super-D plastic hood includes a stay band to strain relief the cable wire. Stay band tool SD-MSBT is required. Extra stay bands are available.

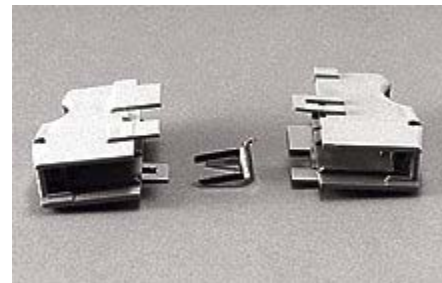
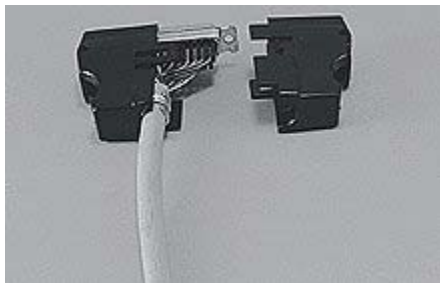
### Materials

Hood: Modified phenylene oxide - black for metal shell connectors or gray for all-plastic IDC connectors

Latch Block: Diecast zinc

Screws for Latching Blocks: Steel with nickel plating

Stay Band: Steel with zinc plating and clear chromate finish

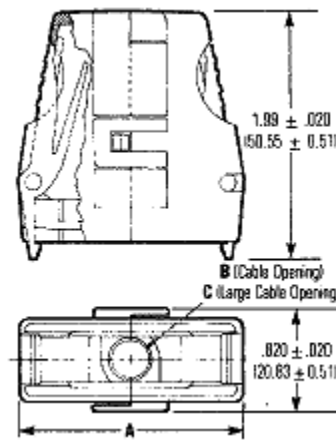
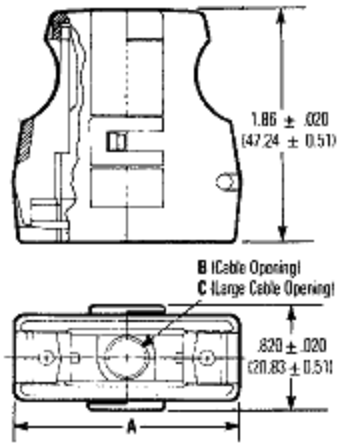


### Straight (180°) Cable Entry Black Backshells for Metal Shell Connectors



Adapter Hood with Filler Ends

Adapter Hood with Latches



**Dimensions**

| Positions | A ±.020" (.58mm) |       | B ±.020" (.58mm) |      | C ±.020" (.58mm) |       |
|-----------|------------------|-------|------------------|------|------------------|-------|
|           | in               | mm    | in               | mm   | in               | mm    |
| 9         | 1.47             | 37.34 | 0.31             | 7.87 | -                | -     |
| 15        | 1.80             | 45.72 | 0.31             | 7.87 | 0.41             | 10.41 |
| 25        | 2.35             | 59.69 | 0.33             | 8.40 | 0.47             | 11.94 |
| 37        | 2.99             | 75.95 | 0.37             | 9.40 | 0.50             | 12.70 |

**Ordering Information**

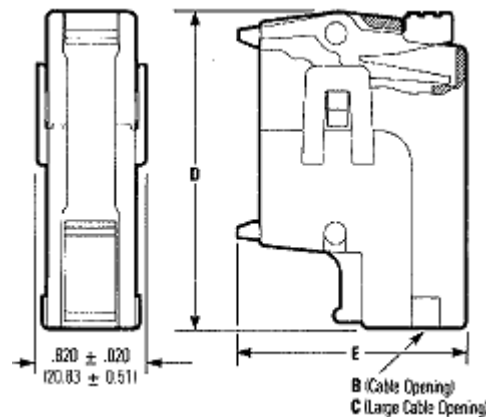
**Straight (180°) Cable Entry Black Backshells for Metal Shell Connectors**

| Positions | Latches                |                     | Filler Ends            |                     | Filler Ends w/4-40 Screws |                     |
|-----------|------------------------|---------------------|------------------------|---------------------|---------------------------|---------------------|
|           | Standard Cable Opening | Large Cable Opening | Standard Cable Opening | Large Cable Opening | Standard Cable Opening    | Large Cable Opening |
| 9         | SDH-9BL                | N/A                 | SDH-9BF                | N/A                 | SDH-9BFCS                 | N/A                 |
| 15        | SDH-15BL               | SDH-15BLL           | SDH-15BF               | SDH-15BFL           | SDH-15BFCS                | SDH-15BFLCS         |
| 25        | SDH-25BL               | SDH-25BLL           | SDH-25BF               | SDH-25BFL           | SDH-25BFCS                | SDH-25BFLCS         |
| 37        | SDH-37BL               | SDH-37BLL           | SDH-37BF               | SDH-37BFL           | SDH-37BFCS                | SDH-37BFLCS         |

**Right-Angle (90°) Cable Entry Black Backshells for Metal Shell Connectors**



Right-Angle Adapter Hood



**Dimensions**

| Positions | B ±.020" (.58mm) |      | C ±.020" (.58mm) |    | D ±.020" (.58mm) |       | E ±.020" (.58mm) |       |
|-----------|------------------|------|------------------|----|------------------|-------|------------------|-------|
|           | in               | mm   | in               | mm | in               | mm    | in               | mm    |
| 9         | 0.31             | 7.87 | -                | -  | 1.94             | 49.21 | 1.25             | 31.75 |

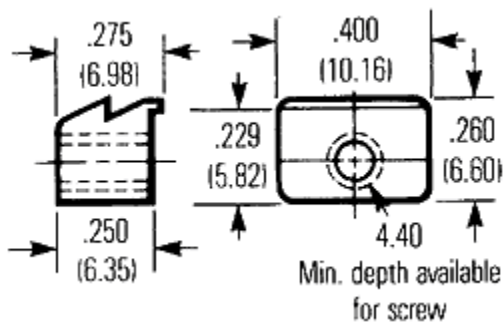
|    |      |      |      |       |      |       |      |       |
|----|------|------|------|-------|------|-------|------|-------|
| 15 | 0.31 | 7.87 | 0.41 | 10.41 | 2.25 | 57.15 | 1.34 | 34.13 |
| 25 | 0.33 | 8.40 | 0.47 | 11.94 | 2.94 | 74.61 | 1.50 | 38.10 |
| 37 | 0.37 | 9.40 | 0.50 | 12.70 | 3.59 | 91.28 | 1.53 | 38.89 |

## Ordering Information

### Right-Angle (90°) Cable Entry Black Backshells for Metal Shell Connectors

| Positions | Latches                |                     |
|-----------|------------------------|---------------------|
|           | Standard Cable Opening | Large Cable Opening |
| 9         | SDH-9RBL               | N/A                 |
| 15        | SDH-15RBL              | SDH-15RBLL          |
| 25        | SDH-25RBL              | SDH-25RBLL          |
| 37        | SDH-37RBL              | SDH-37RBLL          |

### Latching Blocks for Super D Adapter System



## Ordering Information

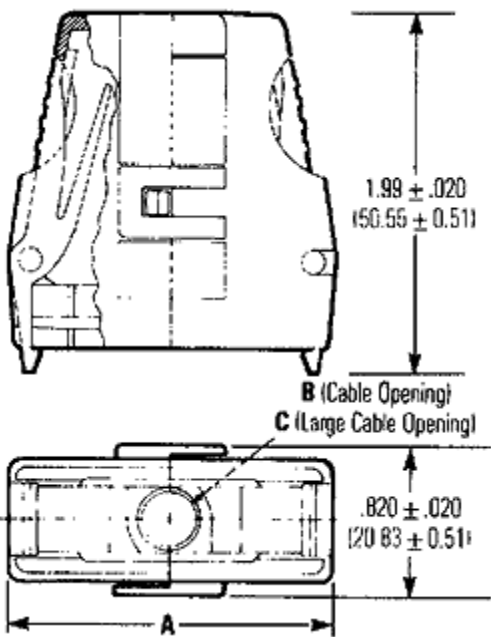
| Description                                | For Panel Thickness | Qty per pack | Qty Required Per SDH Hood | Catalog Number |
|--|---------------------|--------------|---------------------------|----------------|
| Latching Block                             | N/A                 | 1 each       | 2 each                    | SD-LB          |
| Latching Block with SEM Screws             | Up to .060"         | 2 each       | 2 each                    | SD-LB-060      |
| Removable Mounting Screws for Adapter Hood | N/A                 | 1 each       | 2 each                    | 4-40UNC2AX3/4  |
| Latching Block with SEM Screws             | .060" to .080"      | 2 each       | 2 each                    | SD-LB-060-080  |
| Latching Block with SEM Screws             | .080" to .125"      | 2 each       | 2 each                    | SD-LB-125      |

Fits only T Series All-Plastic IDC connector

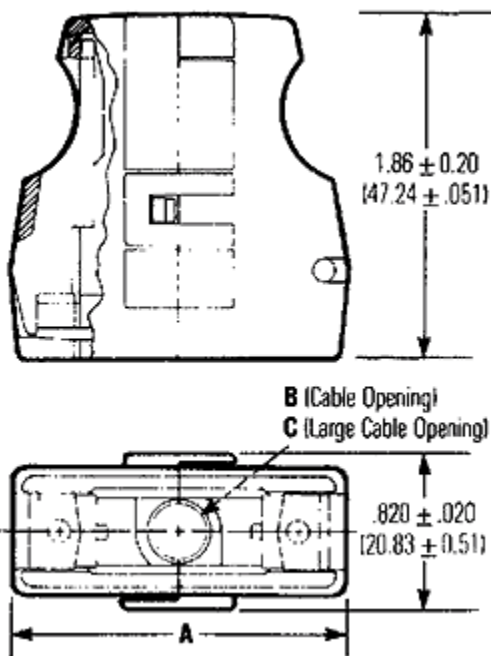
### Straight (180°) Cable Entry Gray Backshells for All-Plastic Connectors

#### With Latches





**With Filler Ends**



**Dimensions**

| Positions | A ±.020" (.58mm) |       | B ±.020" (.58mm) |      | C ±.020" (.58mm) |       |
|-----------|------------------|-------|------------------|------|------------------|-------|
|           | in               | mm    | in               | mm   | in               | mm    |
| 9         | 1.47             | 37.34 | 0.31             | 7.87 | ---              | ---   |
| 15        | 1.80             | 45.72 | 0.31             | 7.87 | 0.41             | 10.41 |
| 25        | 2.35             | 59.69 | 0.33             | 8.40 | 0.47             | 11.94 |
| 37        | 2.99             | 75.95 | 0.37             | 9.40 | 0.50             | 12.70 |

**Ordering Information**

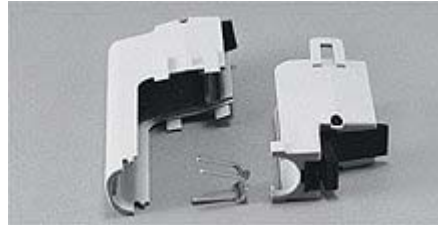
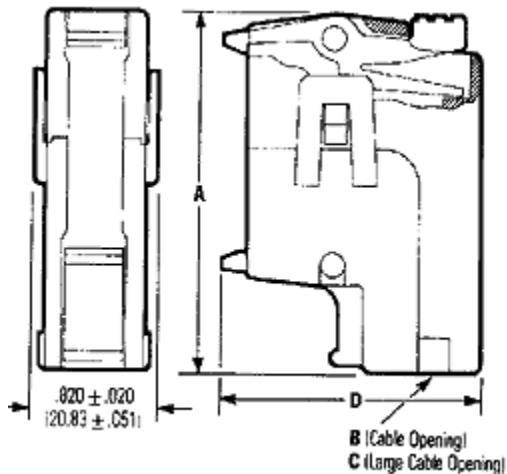
**Straight (180°) Cable Entry Gray Backshells for All-Plastic Connectors**

|  |  |  |  |
|--|--|--|--|
|  |  |  |  |
|--|--|--|--|

| Positions | Latches                |                     | Filler Ends            |                     | Filler Ends w/4-40 Screws |                     |
|-----------|------------------------|---------------------|------------------------|---------------------|---------------------------|---------------------|
|           | Standard Cable Opening | Large Cable Opening | Standard Cable Opening | Large Cable Opening | Standard Cable Opening    | Large Cable Opening |
| 9         | SDH-9GL                | N/A                 | SDH-9GF                | N/A                 | SDH-9GFCS                 | N/A                 |
| 15        | SDH-15GL               | SDH-15GLL           | SDH-15GF               | SDH-15GFL           | SDH-15GFCS                | SDH-15GFLCS         |
| 25        | SDH-25GL               | SDH-25GLL           | SDH-25GF               | SDH-25GFL           | SDH-25GFCS                | SDH-25GFLCS         |
| 37        | SDH-37GL               | SDH-37GLL           | SDH-37GF               | SDH-37GFL           | SDH-37GFCS                | SDH-37GFLCS         |

### Right-Angle (90°) Cable Entry Gray Backshells for All-Plastic Connector

Fits only IDC connectors



### Dimensions

| Positions | A    |       | B    |      | C    |       | D    |       |
|-----------|------|-------|------|------|------|-------|------|-------|
|           | in   | mm    | in   | mm   | in   | mm    | in   | mm    |
| 9         | 1.94 | 49.21 | 0.31 | 7.87 | --   | ---   | 1.25 | 31.75 |
| 15        | 2.25 | 57.15 | 0.31 | 7.87 | 0.41 | 10.41 | 1.34 | 34.13 |
| 25        | 2.94 | 74.61 | 0.33 | 8.40 | 0.47 | 11.94 | 1.50 | 38.10 |
| 37        | 3.59 | 91.28 | 0.37 | 9.40 | 0.50 | 12.70 | 1.53 | 38.89 |

### Ordering Information

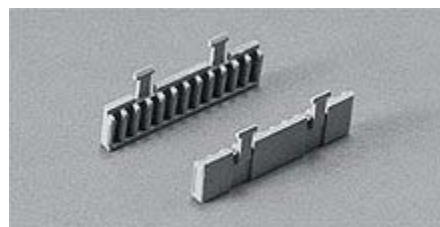
#### Right-Angle (90°) Cable Entry Gray Backshells for All-Plastic Connectors

| Positions | Latches                |                     |
|-----------|------------------------|---------------------|
|           | Standard Cable Opening | Large Cable Opening |
| 9         | SDH-9RGL               | N/A                 |
| 15        | SDH-15RGL              | SDH-15RGLL          |
| 25        | SDH-25RGL              | SDH-25RGLL          |
| 37        | SDH-37RGL              | SDH-37RGLL          |

### Ordering Information

#### Accessories for Gray Backshells

| Positions | Optional Strain Reliefs* | Additional Stay Bands** |
|-----------|--------------------------|-------------------------|
| 9         | SD-WC9                   | SD-9-15-SB              |
| 15        | SD-WC15                  | SD-9-15-SB              |
| 25        | SD-WC25                  | SD-25-37-SB             |
| 37        | SD-WC37                  | SD-25-37-SB             |



\* Two each required per backshell.

\*\* Stay band tool #SD-MSBT required.

Screw for screwlocking connector assembly - (2 each required):  
4-40NC2AX3/4.

