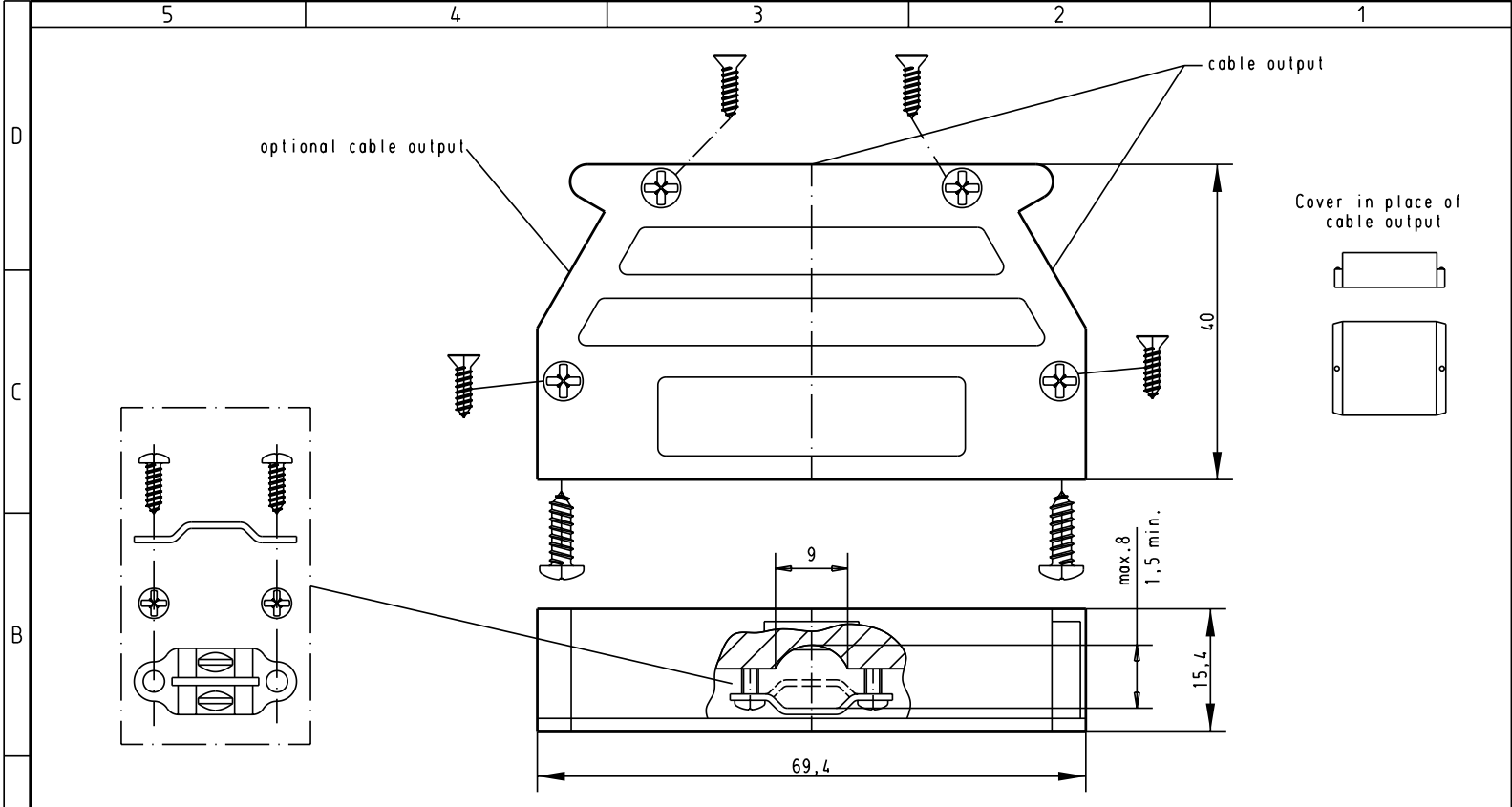


Alle Rechte vorbehalten/ All rights reserved



					Del.	Name	 All Dim. in mm Orig. Size DIN A 4	D-Sub, Hood 37 poles Top and side cable entry 1.5:1	
					Detail.	28-MAR-02			CV
					Insp.				
					Stand.				
09 67 037 0453	Thermoplastic metallized						 Sub.	TB 0967037045x 1	
09 67 037 0452	Thermoplastic black				29760	28-MAR-02			CV
Part number	Material				Mod.	Del.	Name		
					HARTING EURL F-95972 Paris				