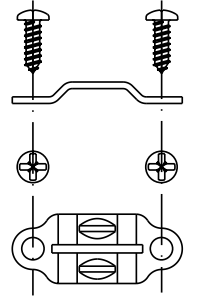
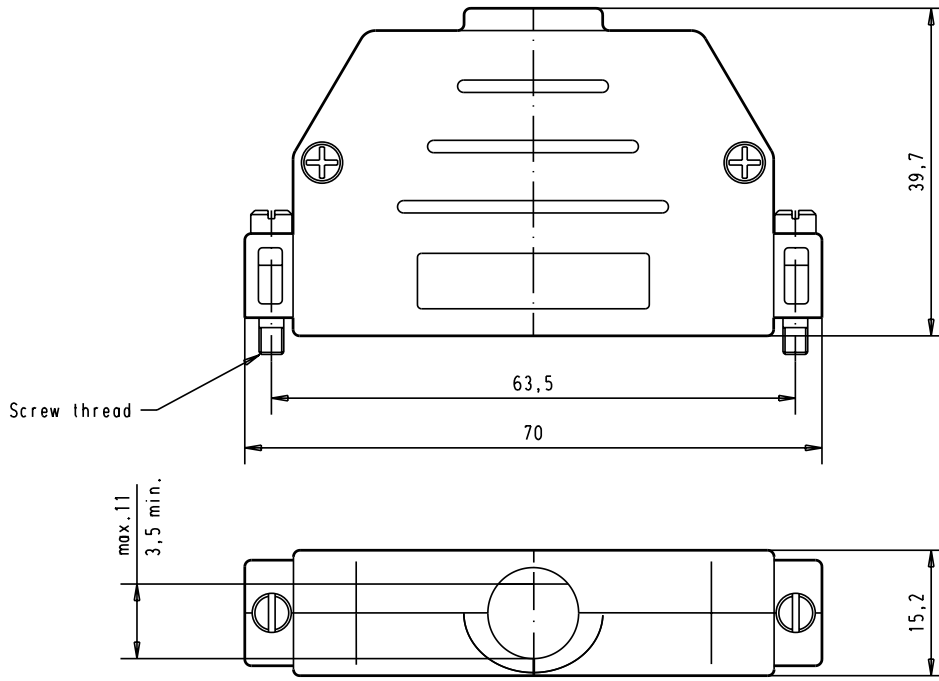


Alle Rechte vorbehalten/ All rights reserved



					Del.	Name	 All Dim. in mm Orig. Size DIN A 4	D-Sub, thermoplastic metallized hood, 37 poles with short locking screws.	Maßstab/ Scale 1.5:1	
					Detail.	4-SEP-02				CV
					Insp.					
					Stand.					
09 67 037 0423		M3					 HARTING EURL F-95972 Paris	TB 0967 037 04x3	Blatt/ Page 1/	
09 67 037 0443		4-40 UNC		31085	4-SEP-02	CV				
Part number	Screw thread			Mod.	Del.	Name				Sub.