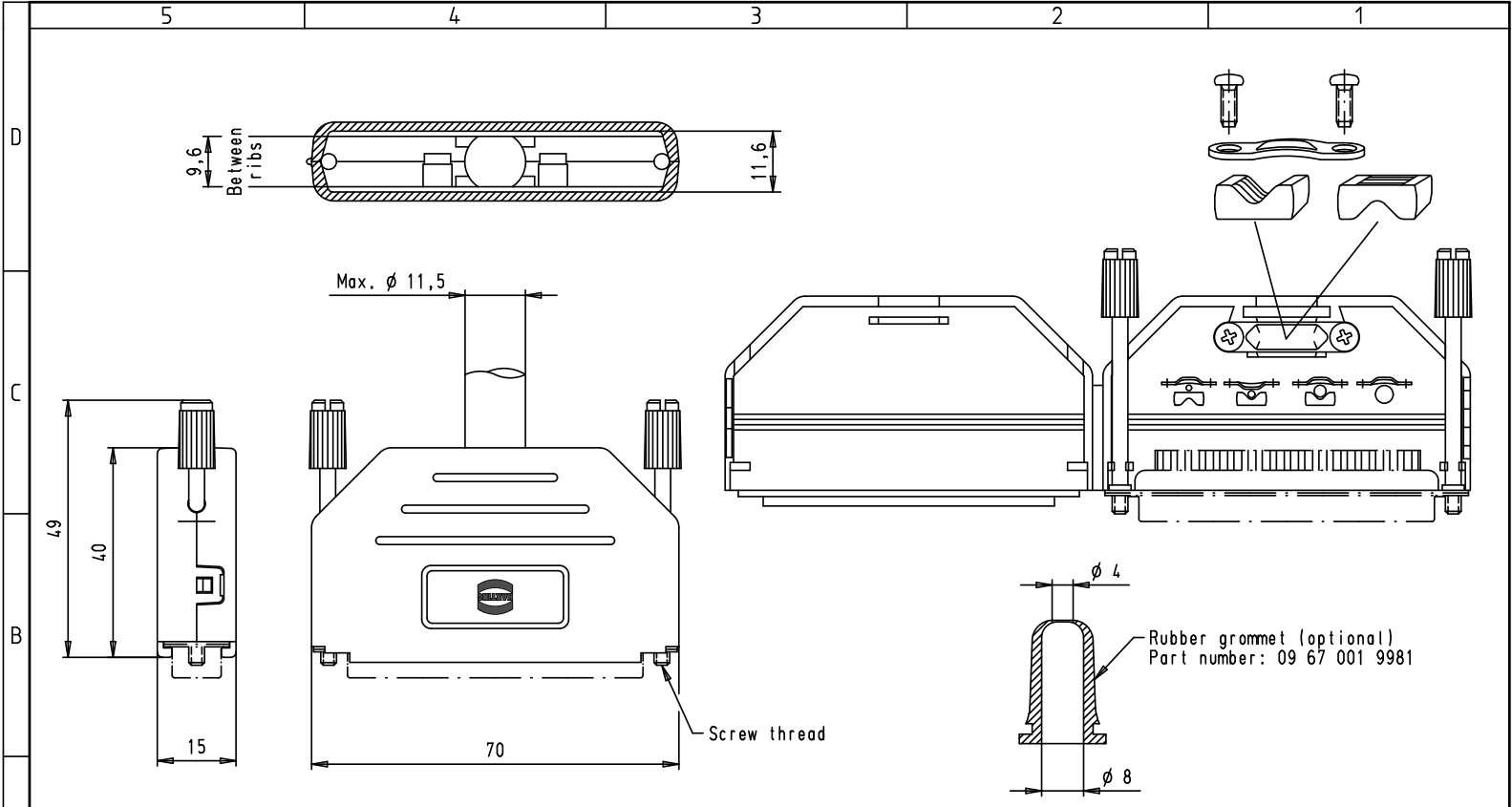




Alle Rechte vorbehalten/ All rights reserved



09 67 037 0426	M3
09 67 037 0424	4-40 UNC
Part number	Screw thread

Mod.	Del.	Name	Detail.	Del.	Name	 All Dim. in mm Orig. Size DIN A 4	D-Sub, top entry hood with knurled screws, 37 poles, thermoplastic black	Maßstab/ Scale 1:1
34784	12/02/08	PK	Insp.	28/03/02	CV			
33500	28/06/06	PK	Stand.					
31085	04/09/02	CV						
29760	28/03/02	CV						
HARTING EURL F-95972 Paris							TB 09 67 037 042X Sub.	Blatt/ Page 1 / 1