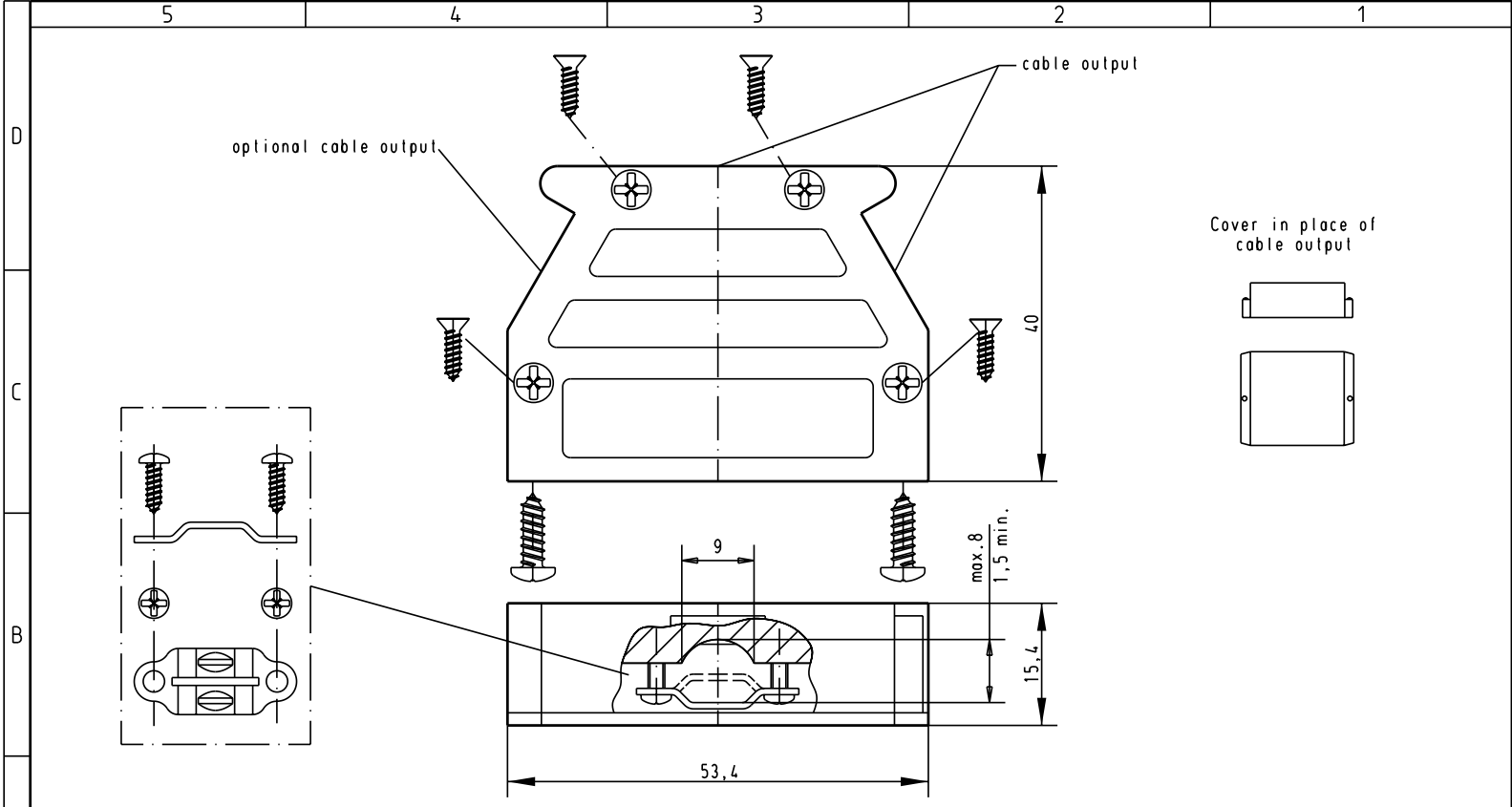
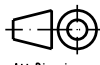



Alle Rechte vorbehalten/ All rights reserved



					Del.	Name	 All Dim. in mm Orig. Size DIN A 4	D-Sub, Hood 25 poles Top and side cable entry Maßstab/ Scale 1.5:1	
					Detail.	28-MAR-02			CV
					Insp.				
					Stand.				
09 67 025 0453	Thermoplastic metallized				HARTING EURL F-95972 Paris			TB 0967025045x Sub.	
09 67 025 0452	Thermoplastic black	29760	28-MAR-02	CV					Blatt/ Page 1 /
Part number	Material	Mod.	Del.	Name					