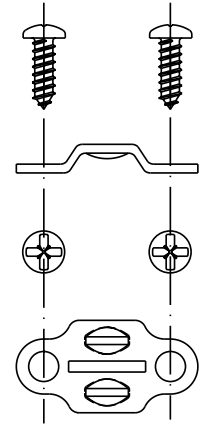
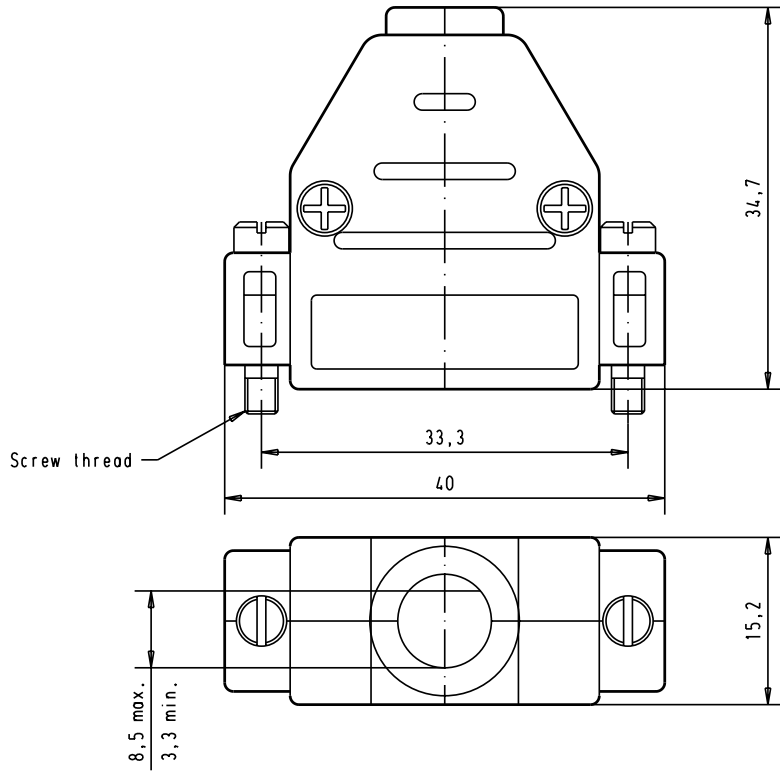


Alle Rechte vorbehalten/ All rights reserved



					Del.		Name		 All Dim. in mm Orig. Size DIN A 4	D-Sub, thermoplastic metallized hood, 15 poles with short locking screws.	Maßstab/ Scale 2:1
					Detail.		CV				
					Insp.						
					Stand.						
09 67 015 0423		M3						 HARTING EURL F-95972 Paris	TB 0967 015 04X3	Blatt/ Page 1/	
09 67 015 0443		4-40 UNC		31085		4-SEP-02					Sub.
Part number		Screw thread		Mod.		Del.					