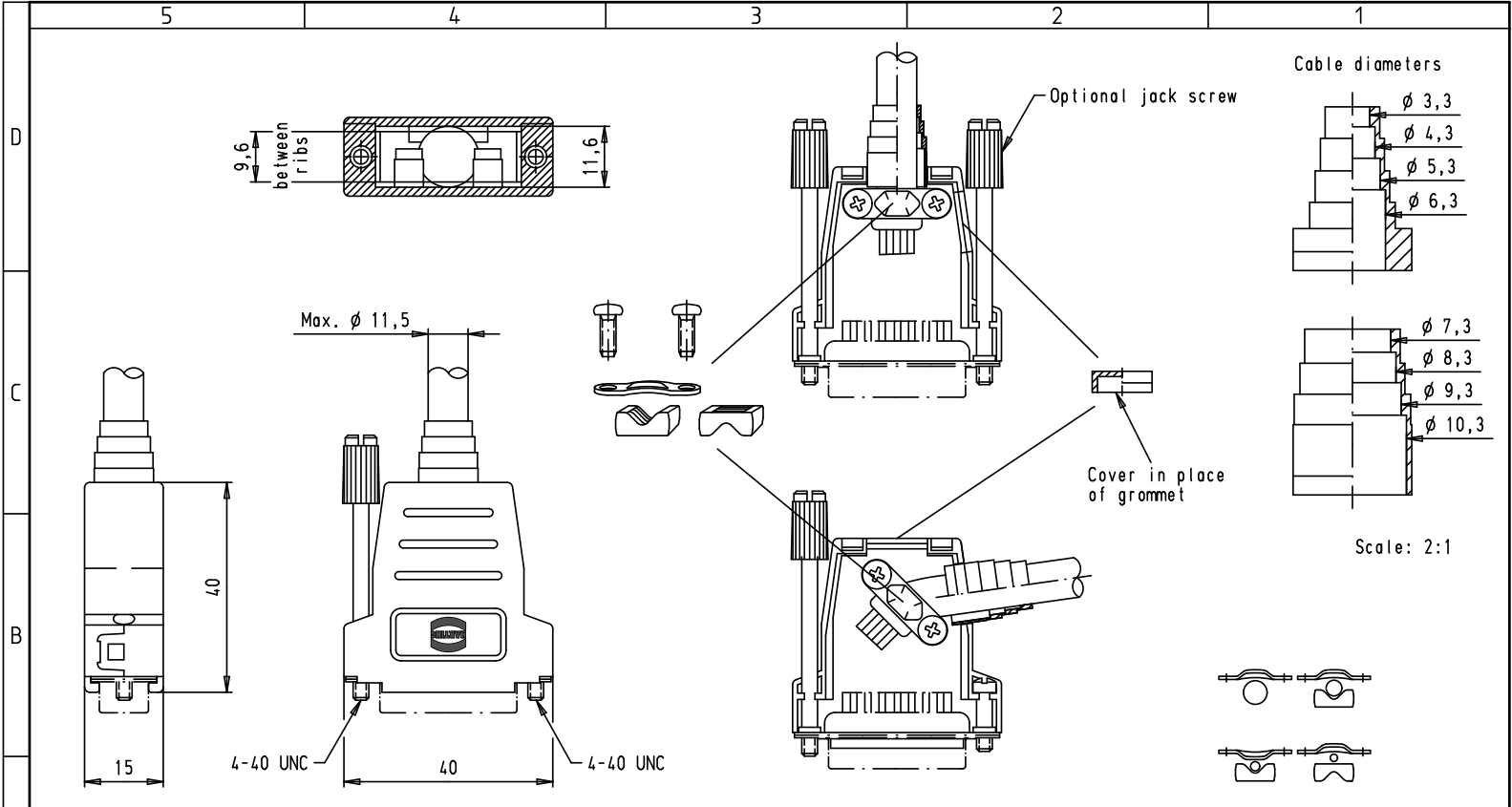


Alle Rechte vorbehalten/ All rights reserved



A							D-Sub, top and side entry hood with knurled screws, 15 poles, thermoplastic metallized	Maßstab/ Scale	
				Detail. 28/03/02 CV	All Dim. in mm Orig. Size DIN A 4			1:1 2:1	
				Insp.					
				Stand.					
	34784	15/02/08	PK	HARTING EURL F-95972 Paris				TB 09 67 015 0435	Blatt/ Page 1 / 1
	29760	28/03/02	CV				Sub.		
	Mod.	Dat.	Name						