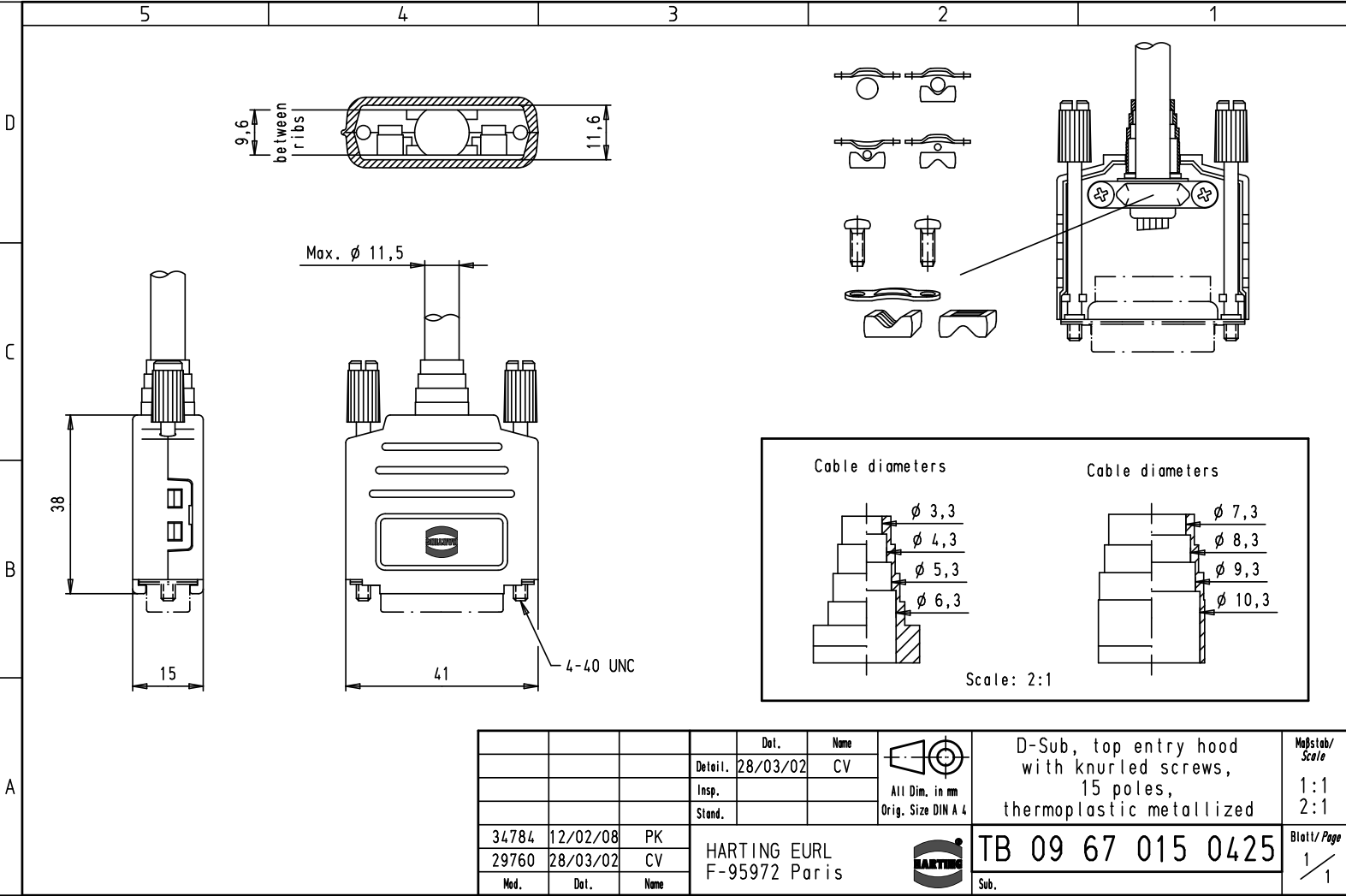




Alle Rechte vorbehalten/ All rights reserved



				Det.	Name	 All Dim. in mm Orig. Size DIN A 4	D-Sub, top entry hood with knurled screws, 15 poles, thermoplastic metallized	Maßstab/ Scale
			Detail.	28/03/02	CV			1:1
			Insp.					2:1
			Stand.					
34784	12/02/08	PK	HARTING EURL				<b>TB 09 67 015 0425</b>	Blatt/ Page
29760	28/03/02	CV	F-95972 Paris					Sub.
Mod.	Det.	Name						