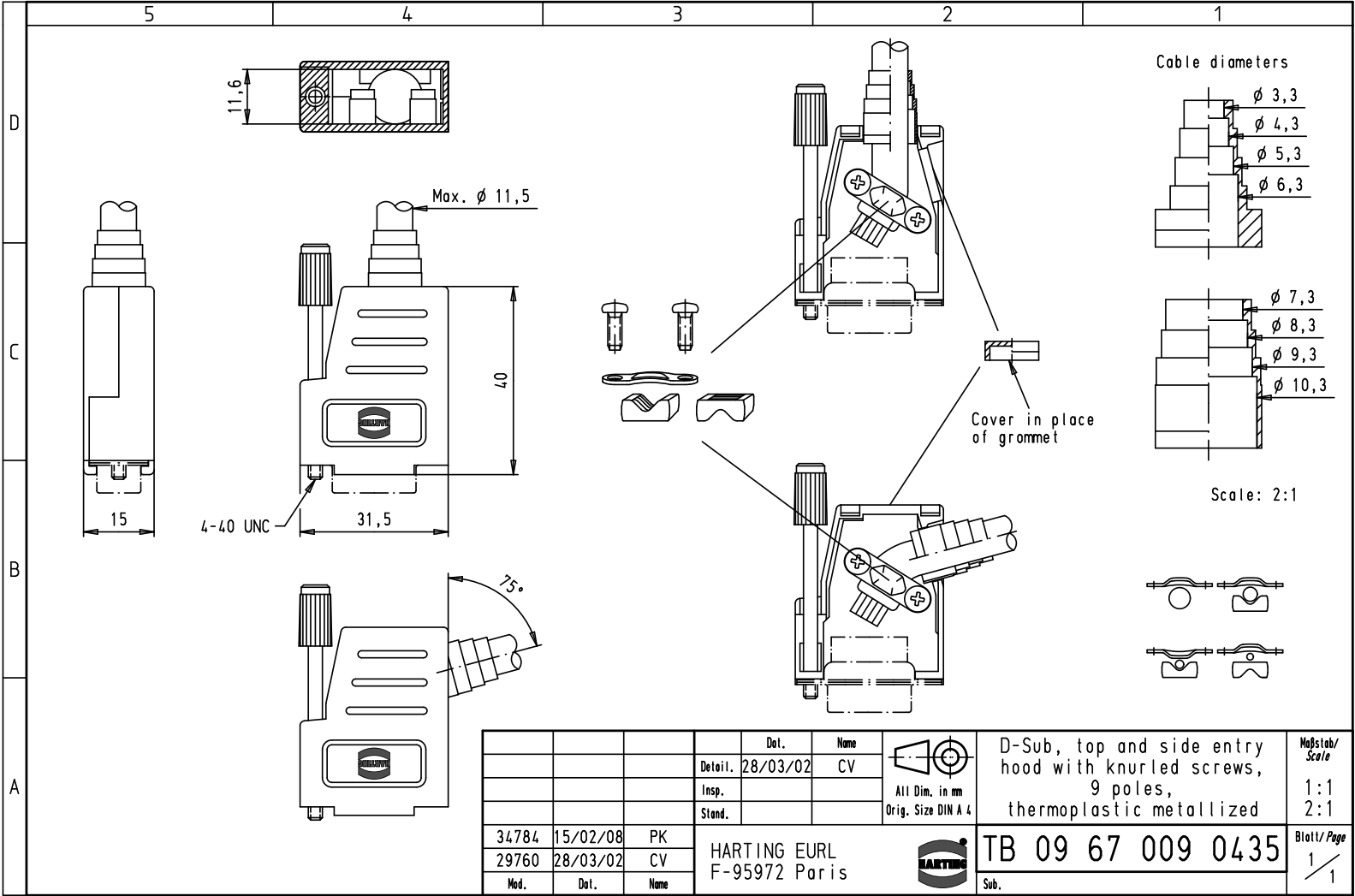
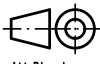



Alle Rechte vorbehalten/ All rights reserved



Mod.	Del.	Name	Det.	Name	 All Dim. in mm Orig. Size DIN A 4	D-Sub, top and side entry hood with knurled screws, 9 poles, thermoplastic metallized	Maßstab/ Scale	
			Detail.	28/03/02			CV	1:1
			Insp.					2:1
			Stand.					
34784	15/02/08	PK	HARTING EURL			<b>TB 09 67 009 0435</b>	Blatt/ Page 1 / 1	
29760	28/03/02	CV	F-95972 Paris					Sub.