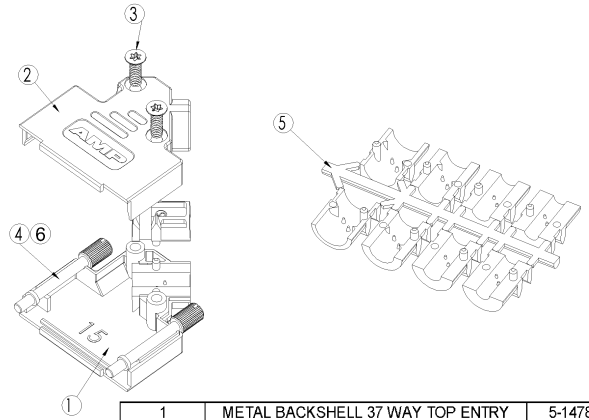
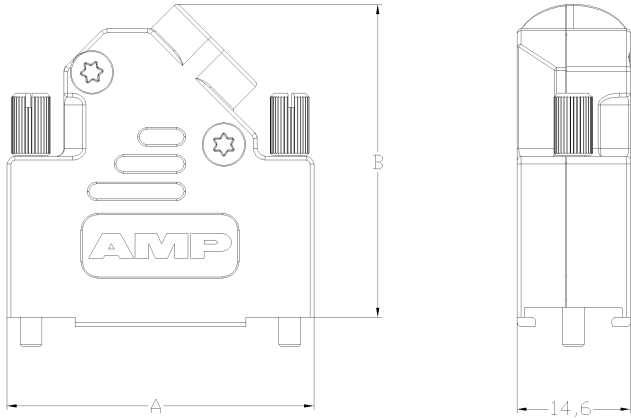


THIS DRAWING IS UNPUBLISHED. RELEASED FOR PUBLICATION 27-02-02
 © COPYRIGHT 2002 BY TYCO ELECTRONICS CORPORATION. ALL RIGHTS RESERVED.

LOC	DIST	REVISIONS					
		P	LTR	DESCRIPTION	DATE	DWN	APVD
E	B	D		EBD0-0215-04	22-06-04	AM	FWK
		E		EBD0-0435-04	19-11-04	AM	FWK
		F		ECR-05-012541	06/10/05	AM	FWK



PART NUMBER	A'	B'	ITEM	QTY	BACKSHELL	BACKSHELL	FIXING SCREW	TORQUE DRIVE	JACKSCREW	STRAIN RELIEF	JACKSCREW
					BOTTOM	TOP	TYPE -	M3	SET	4-40	
4-1478763-8	69.7	40.2			1	1	2	2	1	-	
4-1478763-7	53.2	40.2			1	1	2	2	1	-	
4-1478763-6	39.5	40.2			1	1	2	2	1	-	
4-1478763-5	31	36.2			1	1	2	1	1	-	
5-1478763-4 and 3-1478763-7	69.7	40.2			1	1	2	-	1	2	
5-1478763-3 and 2-1478763-5	53.2	40.2			1	1	2	-	1	2	
5-1478763-2 and 1-1478763-5	39.5	40.2			1	1	2	-	1	2	
5-1478763-1 and 0-1478763-9	31	36.2			1	1	2	-	1	1	
PART NUMBER	A'	B'	ITEM		1'	2'	3'	4'	5'	6'	

1. FOR ASSEMBLY DETAILS REFER TO LEAFLET 0-1478530-1. 1-PER BOX OF 100 PARTS

THIS DRAWING IS A CONTROLLED DOCUMENT.

DIMENSIONS:	TOLERANCES UNLESS OTHERWISE SPECIFIED:
MM	0 PLC ±-
	1 PLC ±-
	2 PLC ±-
	3 PLC ±-
	4 PLC ±-
	ANGLES ±-
MATERIAL	FINISH

DWN: A.BEKEN	27-02-02	tyco Electronics	Tyco Electronics Corporation Stanmore, Middlesex, HA7 4RS	
CHK: R.G	27-02-02		NAME: ADK SERIES DIE-CAST BACKSHELL 45 DEGREE ENTRY	RESTRICTED TO: -
APVD: F.W-KING	27-02-02	SIZE: A3	CAGE CODE: 00779	DRAWING NO: 1478763
PRODUCT SPEC: -		WEIGHT: -	CUSTOMER DRAWING	SCALE: 1:1
APPLICATION SPEC: -				SHEET 1 OF 1