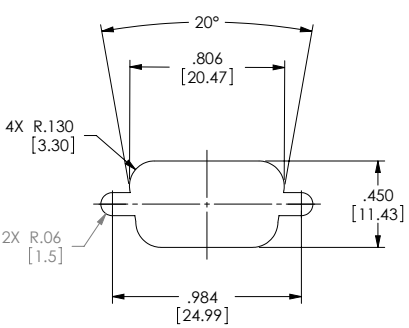
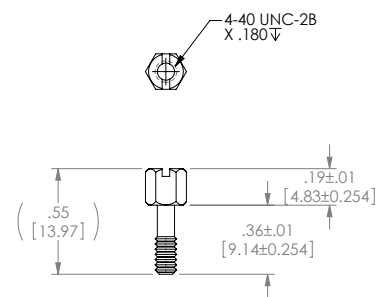
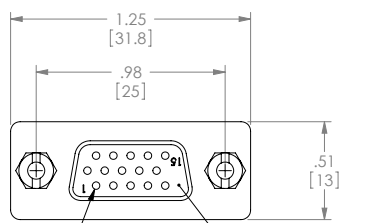
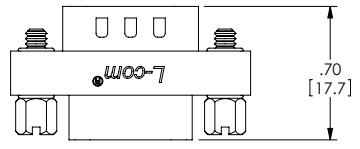


THE INFORMATION CONTAINED IN THIS DRAWING IS THE SOLE PROPERTY OF L-COM, INC. ANY REPRODUCTIONS IN PART OR WHOLE WITHOUT THE WRITTEN PERMISSION OF L-COM, INC. IS PROHIBITED.

REVISIONS			
REV	DESCRIPTION	DATE	CHANGED BY
01	ECO 4564 ADDED BRHS, UPDATED DRAWING AND NEW FORMAT	2/17/15	DJREBELLO

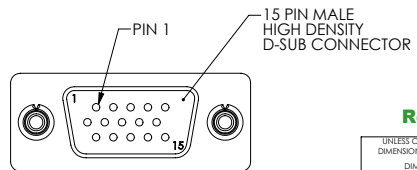
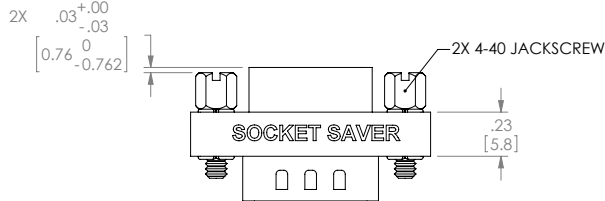


RECOMMENDED PANEL OPENING
(MAX PANEL THICKNESS: 0.06")



JACKSCREW SPECIFICATION

- NOTES:**
- MATERIAL:**
 - SHELL: STEEL
 - CONTACTS: COPPER ALLOY
 - HARDWARE: BRASS
 - INSULATOR: PBT FIBER REINFORCED (UL94V-0 RATED)
 - FINISH:**
 - SHELL: TIN/NICKEL PLATED
 - CONTACTS: GOLD FLASH PLATED
 - HARDWARE: NICKEL PLATED
 - ELECTRICAL:**
 - CURRENT RATING: 3 AMP
 - MISCELLANEOUS:**
 - OPERATING TEMPERATURE RANGE: -55°C TO +105°C.
 - ALL CONTACTS ARE WIRED STRAIGHT THROUGH.
 - COMPONENT SHALL BE TESTED FOR CONTINUITY.
 - LABELING:**
 - PANTONE 2945 BLUE, "L-COM" FONT MyriadMM ITALIC.
 - "GENDER CHANGER" FONT ARIAL BOLD, TEXT HEIGHTS: .085"
 - TEXT COLOR: WHITE.
 - PACKAGING:**
 - COMPONENT SHALL BE INDIVIDUALLY PACKAGED IN ACCORDANCE WITH L-COM SPECIFICATION PS-0031.



RoHS Compliant ✓

UNLESS OTHERWISE SPECIFIED, DIMENSIONS ARE IN INCHES (mm)

DIMENSIONAL TOLERANCES:
 X = ±.1
 .XX = ±.01
 .XXX = ±.005

ANGULAR TOLERANCES:
 ALL = ±1°

PROJECTION

APPROVALS	DATE
DRAWN BY: D.FARHAM	11/09/2001
CHECKED BY: T.CLARE	11/09/2001
APPROVED BY: E.CARRICK	11/09/2001

CONFIGURATION DETAILS OF UNDIMENSIONED FEATURES MAY VARY

COLOR VARIATIONS MAY OCCUR

L-com Global Connectivity		45 BEECHWOOD DRIVE NORTH ANDOVER, MA 01845	
CATEGORY		D-SUBMINIATURE	
PRODUCT DESCRIPTION			
SOCKET SAVER, HD15 MALE/FEMALE			
REV: B	PCN: 150	DWG. NO: 43321	REV: G
SCALE: 2:1	CAD FILE: DGBH15MF.SLDTRW	SHEET 1 OF 1	