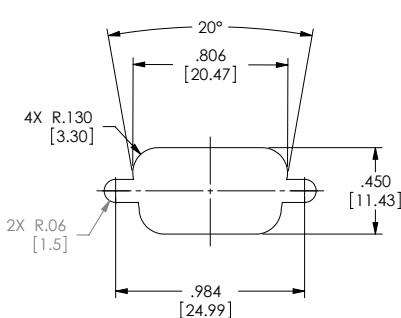
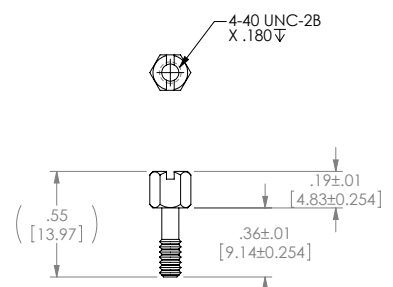
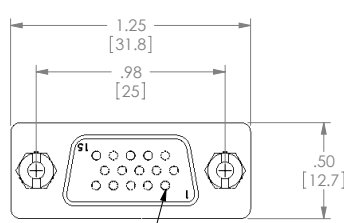
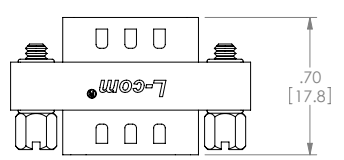


THE INFORMATION CONTAINED IN THIS DRAWING IS THE SOLE PROPERTY OF L-COM, INC. ANY REPRODUCTIONS IN PART OR WHOLE WITHOUT THE WRITTEN PERMISSION OF L-COM, INC. IS PROHIBITED.

REVISIONS			
REV	DESCRIPTION	DATE	CHANGED BY
1	ECO 4564 ADDED REVIS. UPDATED DRAWING AND NEW FORMAT	2/17/15	D.J. REBELLO

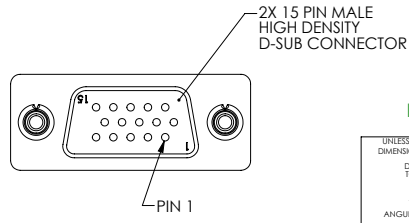
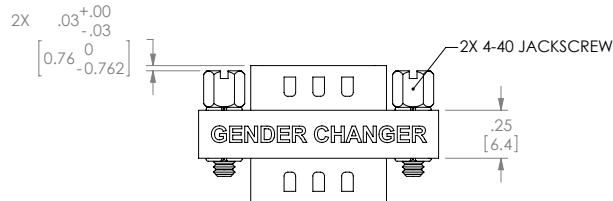


RECOMMENDED PANEL OPENING
(MAX PANEL THICKNESS: 0.06")



JACKSCREW SPECIFICATION

- NOTES:**
- MATERIAL:**
SHELL: STEEL
PINS: COPPER ALLOY
HARDWARE: BRASS
INSULATOR: PBT FIBER REINFORCED (UL94V-0 RATED)
 - FINISH:**
SHELL: TIN/NICKEL PLATED
PINS: GOLD FLASH PLATED
HARDWARE: NICKEL PLATED
 - ELECTRICAL:**
CURRENT RATING: 3 AMP
 - MISCELLANEOUS:**
OPERATING TEMPERATURE RANGE: -55°C TO +105°C.
ALL PINS ARE WIRED STRAIGHT THROUGH.
COMPONENT SHALL BE TESTED FOR CONTINUITY.
 - LABELING:**
PANTONE 2945 BLUE "L-COM" FONT MyriadMM ITALIC.
"GENDER CHANGER" FONT ARIAL BOLD, TEXT HEIGHTS: .085"
TEXT COLOR: WHITE.
 - PACKAGING:**
COMPONENT SHALL BE INDIVIDUALLY PACKAGED IN ACCORDANCE WITH L-COM SPECIFICATION PS-0031.



RoHS Compliant ✓

UNLESS OTHERWISE SPECIFIED, DIMENSIONS ARE IN INCHES (mm)	APPROVALS	DATE	45 BEECHWOOD DRIVE NORTH ANDOVER, MA 01845
	DRAWN BY D.F. BISHAM	11/08/2001	
DIMENSIONAL TOLERANCES: X ± .1 .XX ± .01 .XXX ± 0.005	CHECKED BY T. CLARE	11/08/2001	CATEGORY D-SUBMINIATURE
	APPROVED BY E. CARBICK	11/08/2001	PRODUCT DESCRIPTION GENDER CHANGER, HD15 MALE/MALE
ANGULAR TOLERANCES: ALL ± 1°	CONFIGURATION DETAILS OF UNDIMENSIONED FEATURES MAY VARY		DWG. NO. G
PROJECTION 	COLOR VARIATIONS MAY OCCUR	REV. G	SCALE: 2:1 CAD FILE: DGBH15M.SDDRW SHEET 1 OF 1