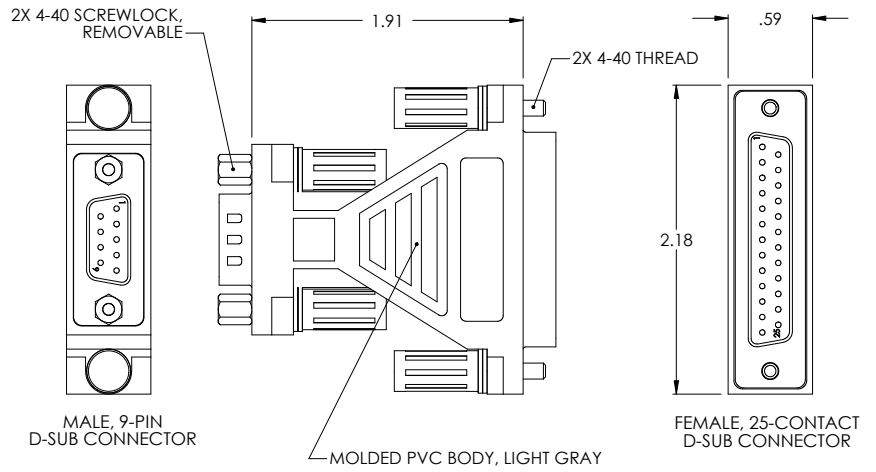


THE INFORMATION CONTAINED IN THIS DRAWING IS THE SOLE PROPERTY OF L-COM, INC. ANY REPRODUCTION IN PART OR WHOLE WITHOUT THE WRITTEN PERMISSION OF L-COM, INC. IS PROHIBITED.

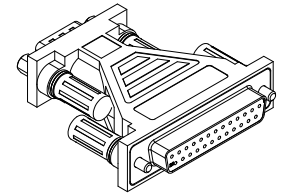
REVISIONS			
REV	DESCRIPTION	DATE	APPROVED
A	RELEASED FOR PRODUCTION	1/16/02	TJC
B	ECH #1820 - ADDED COMPONENT SPECIFICATION TABLE	12/16/03	B.MAZEJKA

WIRE CHART	
DB9M	DB25F
PIN 1	PIN 8
PIN 2	PIN 3
PIN 3	PIN 2
PIN 4	PIN 20
PIN 5	PIN 7
PIN 6	PIN 6
PIN 7	PIN 4
PIN 8	PIN 5
PIN 9	PIN 22
SHELL	SHELL



- NOTES:
- INTERNAL 360° COPPER FOIL SHIELD HAS DRAIN WIRE SOLDERED TO METAL FRAME OF BOTH CONNECTORS.

Component Specifications	
<b>Material</b>	
Shell	Cold Rolled Steel
Contacts	Brass
Insulator	PBT w/ Glass Fiber Filled (UL 94V-0 Rated)
Overmold	PVC (UL 94V-0 Rated)
Hardware	Steel
<b>Finish</b>	
Shell	Tin Plated (100µ inches)
Mating Contacts	Gold Flash Plating over Nickel Plating
Hardware	Nickel Plating
<b>Electrical</b>	
Voltage Rating	250 VAC
Current Rating	5.0 Amp Max
Insulation Resistance	5000 MΩ min @ 500 VDC
Dielectric Withstanding Voltage	1000VAC rms
<b>Environmental</b>	
Operational Temperature Range	-55°C to +105°C



UNLESS OTHERWISE SPECIFIED, DIMENSIONS ARE IN INCHES  
TOLERANCES ARE:  
X ±.1  
XX ±.05  
XXX ±.005  
CABLE LENGTH TOLERANCE  
<300" ±5% >300" ±2%

APPROVALS	DATE
DRAWN BY TJC	11/8/01
CHECKED BY DJP	1/11/02
APPROVED BY CM	1/11/02

**L-com** 45 BEECHWOOD DRIVE  
NORTH ANDOVER, MA 01845

PRODUCT DESCRIPTION  
ADPT. AT MODEM DB25F/DB9M

DRAWING TITLE  
**OUTLINE DRAWING**

SIZE: **A** FSCM NO.: **43321** DWG. NO.: **DG259FM-IBM-OD1** REV: **B**

SCALE: 1:1 CAD FILE: DG259FM-IBM-OD1.SLDRW SHEET 1 OF 1

CONFIGURATION DETAILS OF UNDIMENSIONED FEATURES MAY VARY