

4

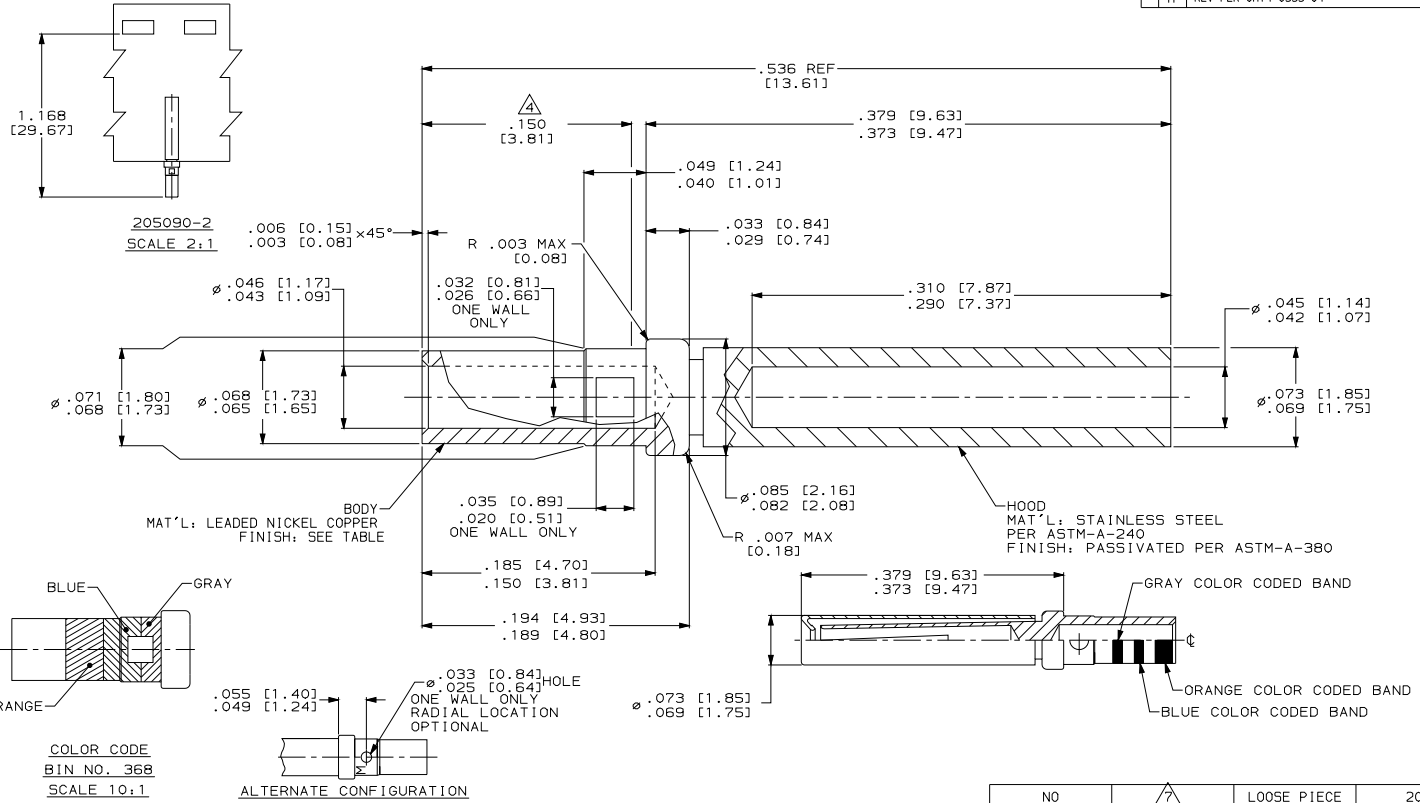
3

2

1

THIS DRAWING IS UNPUBLISHED.  
 RELEASED FOR PUBLICATION  
 BY AMP INCORPORATED. ALL RIGHTS RESERVED.

LOC	DIST	REVISIONS			
DF	DO	REV	DESCRIPTION	DATE	BY
		M	REV PER QH14-0553-04	8-17-04	CT DM



- ALL DIMENSIONS APPLY AFTER PLATING.
- THIS DRAWING COMPLIES WITH SPECIFICATION MIL-C-39029/63 AND M24308/10-1.
- ALL DIAMETERS CONCENTRIC WITH EACH OTHER WITHIN .004 T.I.R.
- POINT OF PLATING MEASUREMENT .150 [3.81] FROM WIRE BARREL END OF CONTACT.
- ALL SURFACES HAVE  $63\sqrt{}$  OR BETTER FINISH.
- GOLD PLATED PER ASTM-B-488 TYPE 3, GRADE C, CLASS 1.25 OVER NICKEL PER QQ-N-290.
- GOLD PLATED PER ASTM-B-488 TYPE 3, GRADE C, CLASS .75 OVER NICKEL PER QQ-N-290.

NO	$\Delta$	LOOSE PIECE	205090-7
YES	$\Delta$	TAPE MOUNTED	205090-2
YES	$\Delta$	LOOSE PIECE	205090-1
COLOR CODE	FINISH	DESCRIPTION	PART NUMBER

THIS DRAWING IS A CONTROLLED DOCUMENT.

DIMENSIONS: INCHES (mm)	DESIGNED BY C. C. THOMAS	DATE 8-17-04	TYCO Electronics Harrisburg, PA 17105-3608
CHECKED BY D. MILLER DATE 8-17-04 APPLICATION SPEC PRODUCT SPEC	DRAWN BY D. MILLER DATE 8-17-04	CUSTOMER DRAWING	

CONTACT ASSY, SOCKET,  
SIZE 20, AMPLIMITE

SIZE: A200779 C= 205090

SCALE: 20:1 SHEET 1 OF 1 REV M