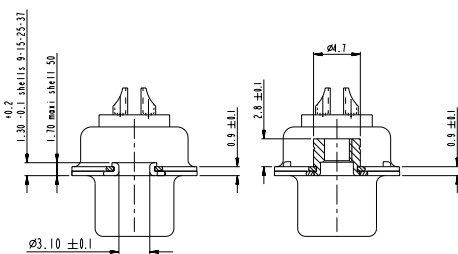


<p>REFERENCE SPECIFICATIONS</p> <p>-MFC 93425 (in compliance with HE 507)</p> <p>PHYSICAL CHARACTERISTICS</p> <p>-INSULATOR MATERIAL: THERMOPLASTIC UL94V0</p> <p>-CONTACT MATERIAL: BRASS</p> <p>-ACCESSORIES: BRASS</p> <p>-SHELLS: STEEL</p> <p>ELECTRICAL CHARACTERISTICS</p> <p>-NOMINAL CURRENT: 7.5A</p> <p>-CONTACT RESISTANCE: <= 7.3 m ohms</p> <p>-CONTACT/CONTACT : >=1000 V</p> <p>-CONTACT/GROUND : >=1200 V</p> <p>-INSULATION RESISTANCE: >=5000 MOhms</p> <p>ENVIRONMENTAL CHARACTERISTICS</p> <p>- CLIMATIC CATEGORY: 55/125/21</p> <p style="margin-left: 40px;">TEMPERATURE RANGE -55°C TO +125°C</p> <p style="margin-left: 40px;">DAMP HEAT STEADY STATE 21 DAYS</p> <p style="margin-left: 40px;">SALT SPRAY 48 HOURS</p> <p>MECHANICAL CHARACTERISTICS</p> <p>RETENTION AGAINST TORQUE: - Threaded insert: 0.7 N.m minimum</p> <p style="margin-left: 40px;">- Female screw : 0.5 N.m minimum</p> <p>NOTE RoHS INFORMATION</p> <ul style="list-style-type: none"> - The "LF" products meet european union Directives and other country regulations as described in GS-22-008. - Termination plating spec: Ni + Gold - Active area plating spec: Ni + Gold - Shell plating :2 to 4µm Cu + Ni + 3 to 10µmm Sn,pure bright - Accessories: Sn pure bright + nickel - Packaging spec: See GS-14-920 	<h1 style="font-size: 2em; margin: 0;">Series ← DBL13W3P043A00LF</h1> <p>Shell size: E A B C D see sheet 3</p> <p>Front accessory definition see sheet 2</p> <p>Blank :without accessory L :threaded insert M3 O :threaded insert UNC 4-40</p> <p>Layout of contacts (see sheet 3) ←</p> <p>Contacts P :Pin</p> <p>Plating ←</p> <p>Blank signal solder bucket 200 matings/unmatings O43 signal solder bucket 500 matings/unmatings</p> <p>PCB accessory definition ←</p> <p>A without accessory on PCB</p> <p>Power contacts ←</p> <p>00 without power contact</p> <p style="text-align: right;">See note RoHS</p>																																																																																																																																
<p style="font-size: 8px; transform: rotate(-90deg);">Copyright FCI</p>	<p>13W3 FOR EXAMPLE</p>																																																																																																																																
	<table border="1" style="width:100%; border-collapse: collapse; font-size: 8px;"> <tr> <td colspan="4">www.fciconnect.com</td> <td>surface</td> <td>tolerance std</td> <td>projection</td> <td>mm</td> </tr> <tr> <td colspan="4"></td> <td>ISO 1302</td> <td>ISO 406</td> <td>ISO 1101</td> <td></td> </tr> <tr> <td colspan="4"></td> <td colspan="4" style="text-align: center;">TOLERANCES UNLESS OTHERWISE SPECIFIED</td> </tr> <tr> <td>Dr</td> <td>M PESSON</td> <td>2005-10-11</td> <td>ANGULAR</td> <td>0.1</td> <td>0.3</td> <td>size</td> <td>A2</td> </tr> <tr> <td>Eng</td> <td>P LEGARE</td> <td>2005-10-11</td> <td>LINEAR</td> <td>0.1x</td> <td>0.1</td> <td>ECN</td> <td>LS07-0273</td> </tr> <tr> <td>Clw</td> <td></td> <td></td> <td>0° 45°</td> <td>0.1x</td> <td>0.05</td> <td>Spec ref</td> <td></td> </tr> <tr> <td colspan="4"></td> <td colspan="4" style="text-align: center;">Product family</td> </tr> <tr> <td>Rev</td> <td>Rev</td> <td>Rev</td> <td>Rev</td> <td>Rev</td> <td>Rev</td> <td>Rev</td> <td>Rev</td> </tr> <tr> <td>A</td> <td>LS05-0101</td> <td>MPE</td> <td>2005-10-11</td> <td></td> <td></td> <td></td> <td></td> </tr> <tr> <td>B</td> <td>LS06-0206</td> <td>LOO</td> <td>2006-12-13</td> <td></td> <td></td> <td></td> <td></td> </tr> <tr> <td>C</td> <td>LS07-0273</td> <td>MPE</td> <td>2007-06-18</td> <td></td> <td></td> <td></td> <td></td> </tr> <tr> <td>D</td> <td>LS07-0273</td> <td>MPE</td> <td>2007/10/31</td> <td></td> <td></td> <td></td> <td></td> </tr> <tr> <td>E</td> <td></td> <td></td> <td></td> <td></td> <td></td> <td></td> <td></td> </tr> <tr> <td>F</td> <td></td> <td></td> <td></td> <td></td> <td></td> <td></td> <td></td> </tr> </table> <table border="1" style="width:100%; border-collapse: collapse; font-size: 8px;"> <tr> <td style="width: 20px;">FCI</td> <td style="width: 100px;">SUB MALE DW</td> <td style="width: 100px;">mixed power+solder bucket</td> <td style="width: 100px;">C01-8639-2307</td> <td style="width: 50px;">Rev. D</td> </tr> <tr> <td>catalog no</td> <td>CUSTOMER</td> <td>sheet 1 of 7</td> <td></td> <td></td> </tr> </table>							www.fciconnect.com				surface	tolerance std	projection	mm					ISO 1302	ISO 406	ISO 1101						TOLERANCES UNLESS OTHERWISE SPECIFIED				Dr	M PESSON	2005-10-11	ANGULAR	0.1	0.3	size	A2	Eng	P LEGARE	2005-10-11	LINEAR	0.1x	0.1	ECN	LS07-0273	Clw			0° 45°	0.1x	0.05	Spec ref						Product family				Rev	Rev	Rev	Rev	Rev	Rev	Rev	Rev	A	LS05-0101	MPE	2005-10-11					B	LS06-0206	LOO	2006-12-13					C	LS07-0273	MPE	2007-06-18					D	LS07-0273	MPE	2007/10/31					E								F								FCI	SUB MALE DW	mixed power+solder bucket	C01-8639-2307	Rev. D	catalog no	CUSTOMER	sheet 1 of 7		
www.fciconnect.com				surface	tolerance std	projection	mm																																																																																																																										
				ISO 1302	ISO 406	ISO 1101																																																																																																																											
				TOLERANCES UNLESS OTHERWISE SPECIFIED																																																																																																																													
Dr	M PESSON	2005-10-11	ANGULAR	0.1	0.3	size	A2																																																																																																																										
Eng	P LEGARE	2005-10-11	LINEAR	0.1x	0.1	ECN	LS07-0273																																																																																																																										
Clw			0° 45°	0.1x	0.05	Spec ref																																																																																																																											
				Product family																																																																																																																													
Rev	Rev	Rev	Rev	Rev	Rev	Rev	Rev																																																																																																																										
A	LS05-0101	MPE	2005-10-11																																																																																																																														
B	LS06-0206	LOO	2006-12-13																																																																																																																														
C	LS07-0273	MPE	2007-06-18																																																																																																																														
D	LS07-0273	MPE	2007/10/31																																																																																																																														
E																																																																																																																																	
F																																																																																																																																	
FCI	SUB MALE DW	mixed power+solder bucket	C01-8639-2307	Rev. D																																																																																																																													
catalog no	CUSTOMER	sheet 1 of 7																																																																																																																															



FRONT ACCESSORY	Blank without	L insert M3	insert UNC 4.40
PCB ACCESSORIES	A without	A without	

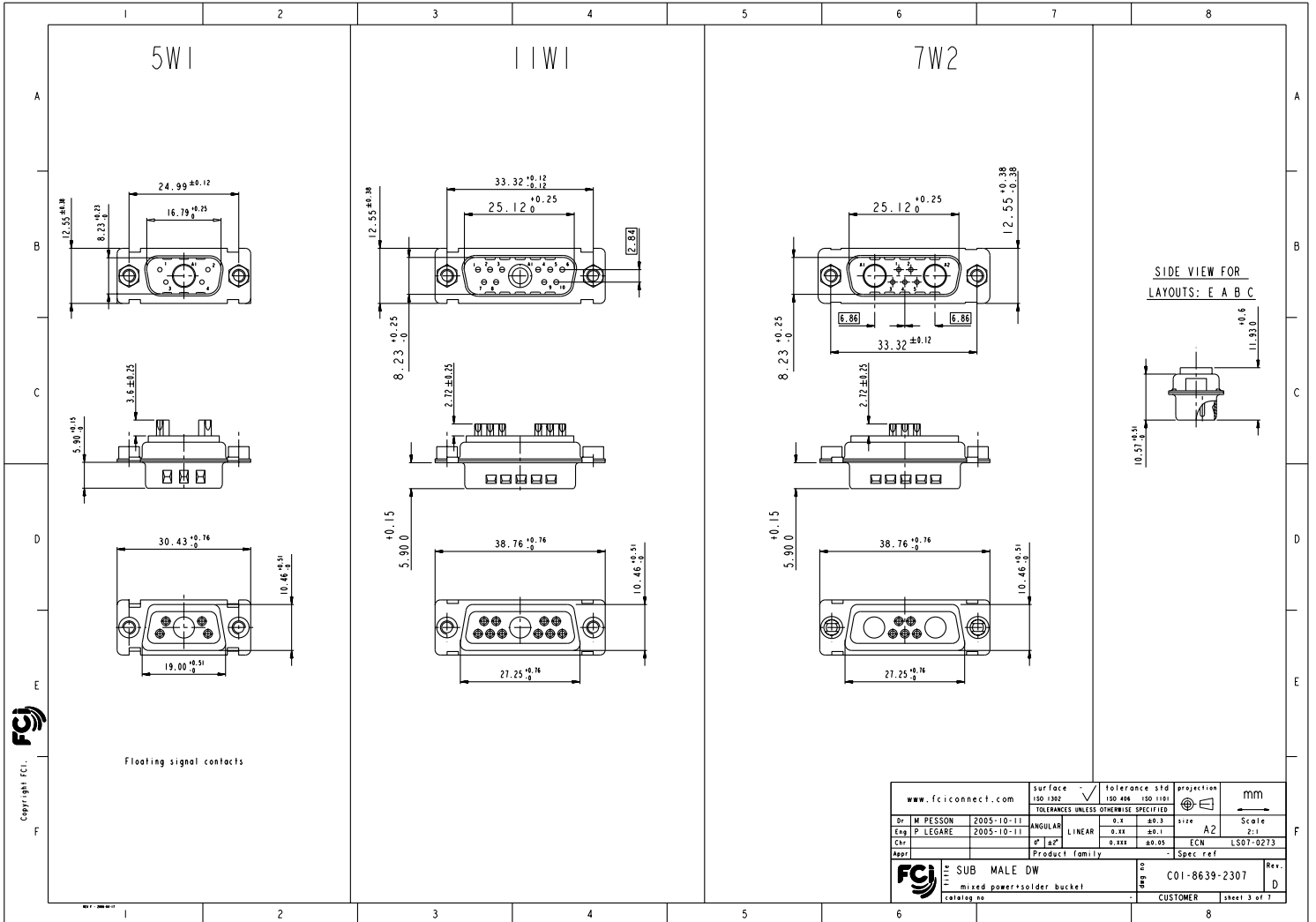
PART NUMBER	MATINGS/ UNMATINGS	FRONT ACCESSORY	PCB ACCESSORIES
D*xWxPA00LF	200	without	without
D*LxWxPA00LF	200	insert M3	without
D*OxWxPA00LF	200	insert UNC 4.40	without
D*xWxP043A00LF	500	without	without
D*LxWxP043A00LF	500	insert M3	without
D*OxWxP043A00LF	500	insert UNC 4.40	without

shell size	LAYOUTS
I	xWx
E	5W1
A	11W1
A	7W2
B	21W1
B	17W2
B	13W3
B	9W4
C	25W3
C	21WA4
C	27W2
D	47W1
D	24W7
D	36W4

Copyright FCI

www.fciconnect.com		surface	tolerance std	projection	mm
Dr	M PESSON	2005-10-11	ISO 1302	ISO 1302	Scale
Eng	P LEGARE	2005-10-11	TOLERANCES UNLESS OTHERWISE SPECIFIED		2:1
Chr			ANGULAR	0.1	A2
Appr			LINEAR	0.1x	ECN
			0.1x	0.1	LS07-0273
			0.1x	0.05	Spec ref
FCI SUB MALE DW		REV	C01-8639-2307	Rev.	D
mixed power solder bucket		catalog no	CUSTOMER	sheet 2 of 7	

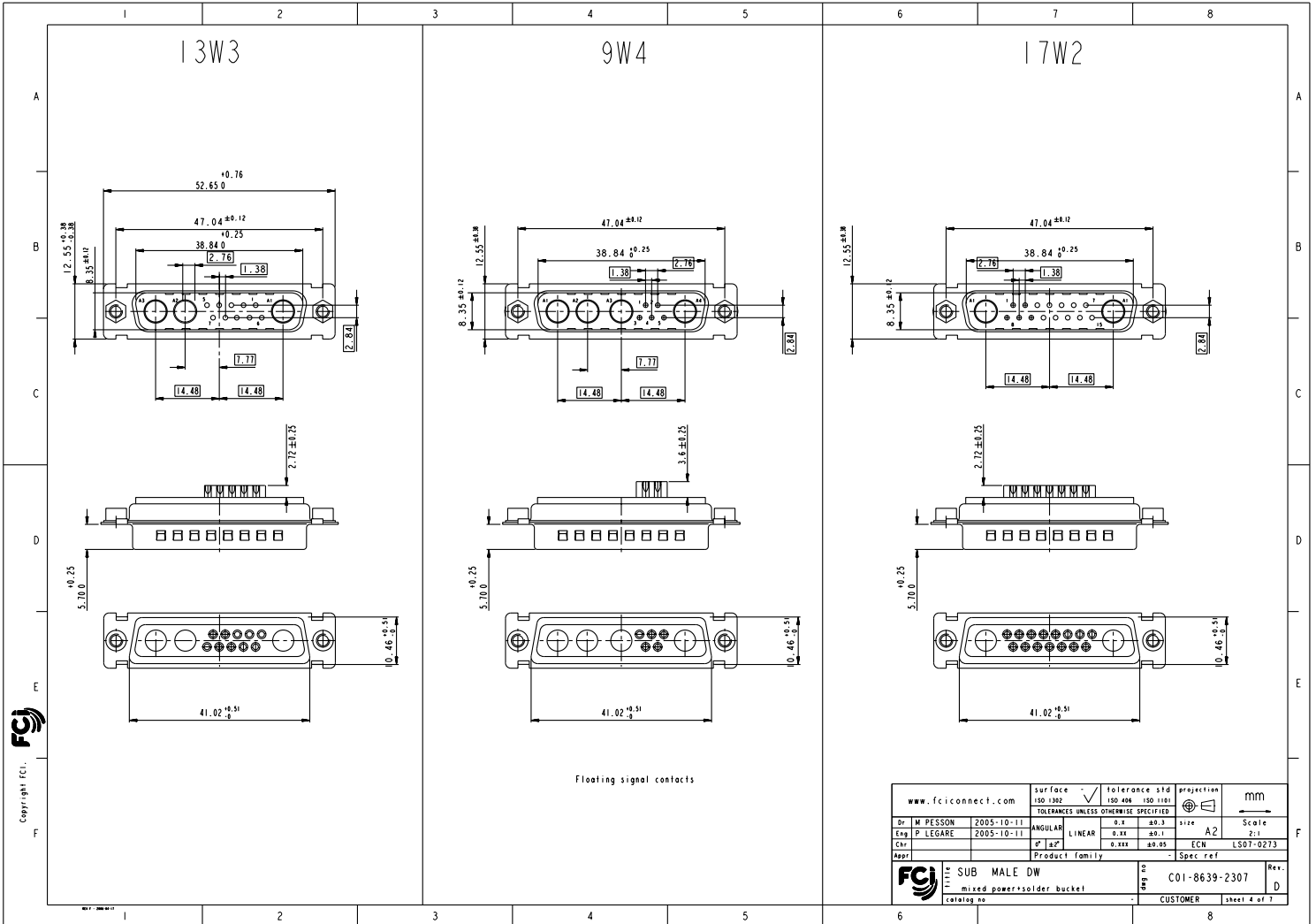
SCALE: 4



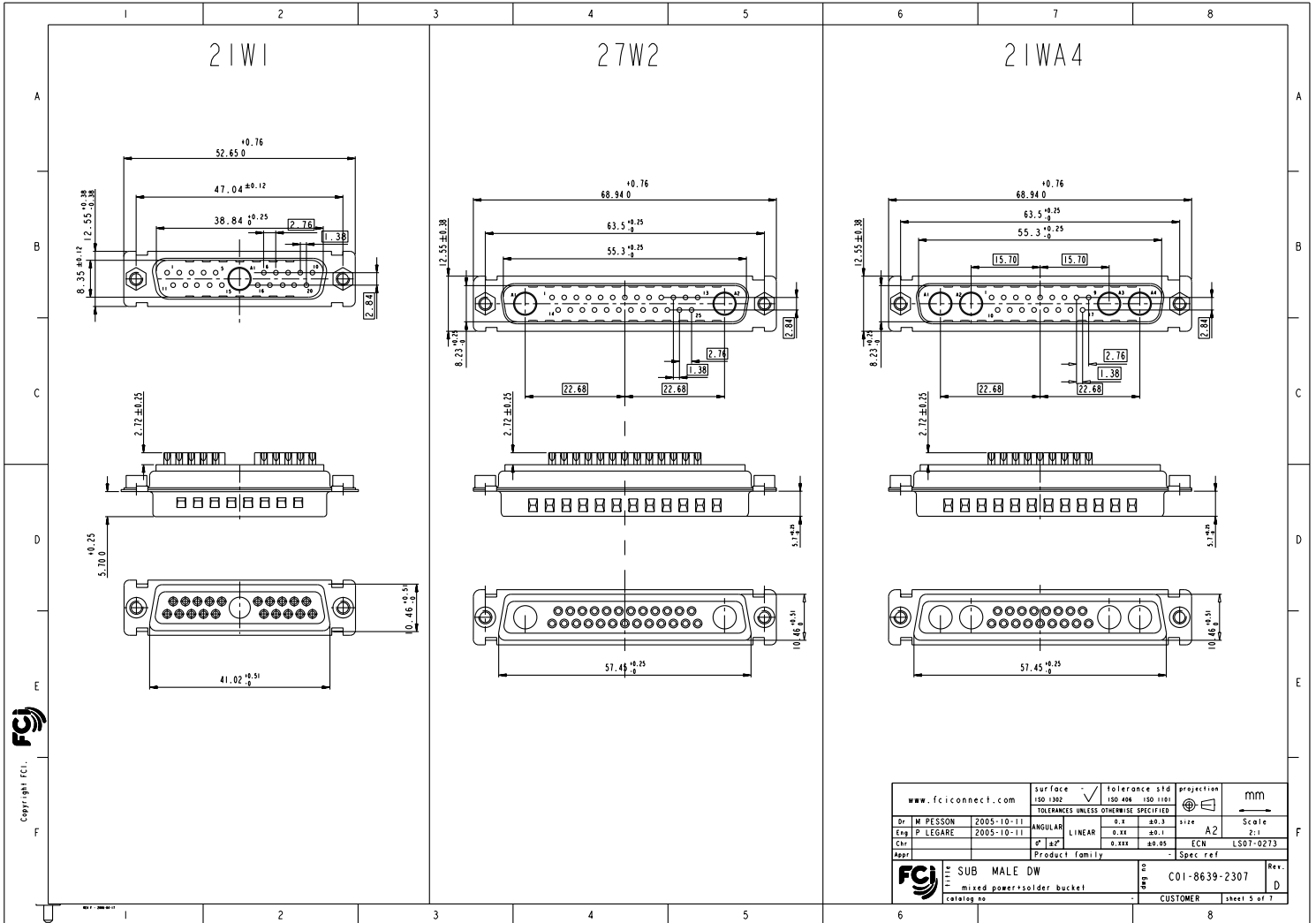
PDM: Rev:D

STATUS Released

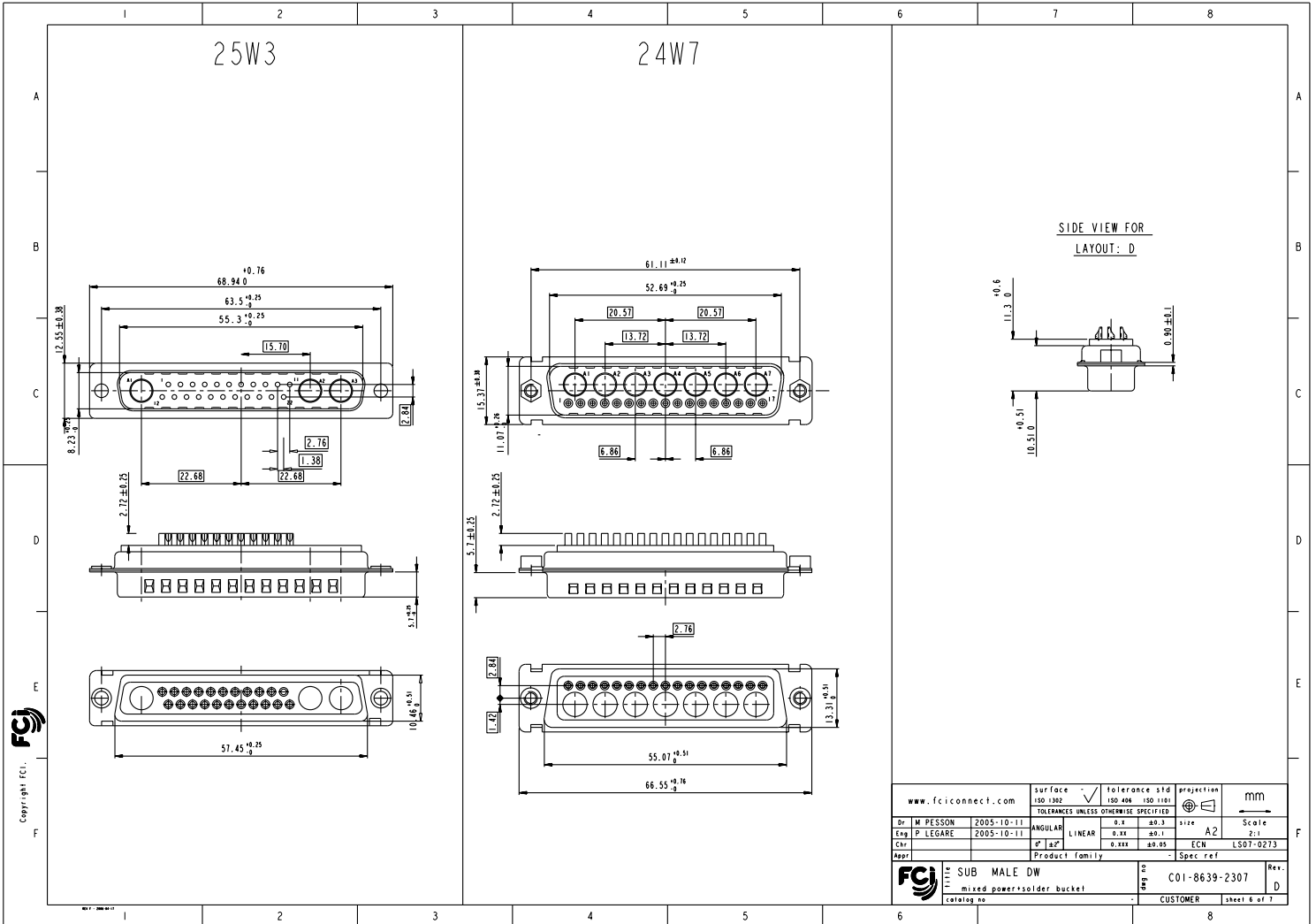
Printed: Oct 01, 2010



PDM: Rev:D STATUS Released Printed: Oct 01, 2010



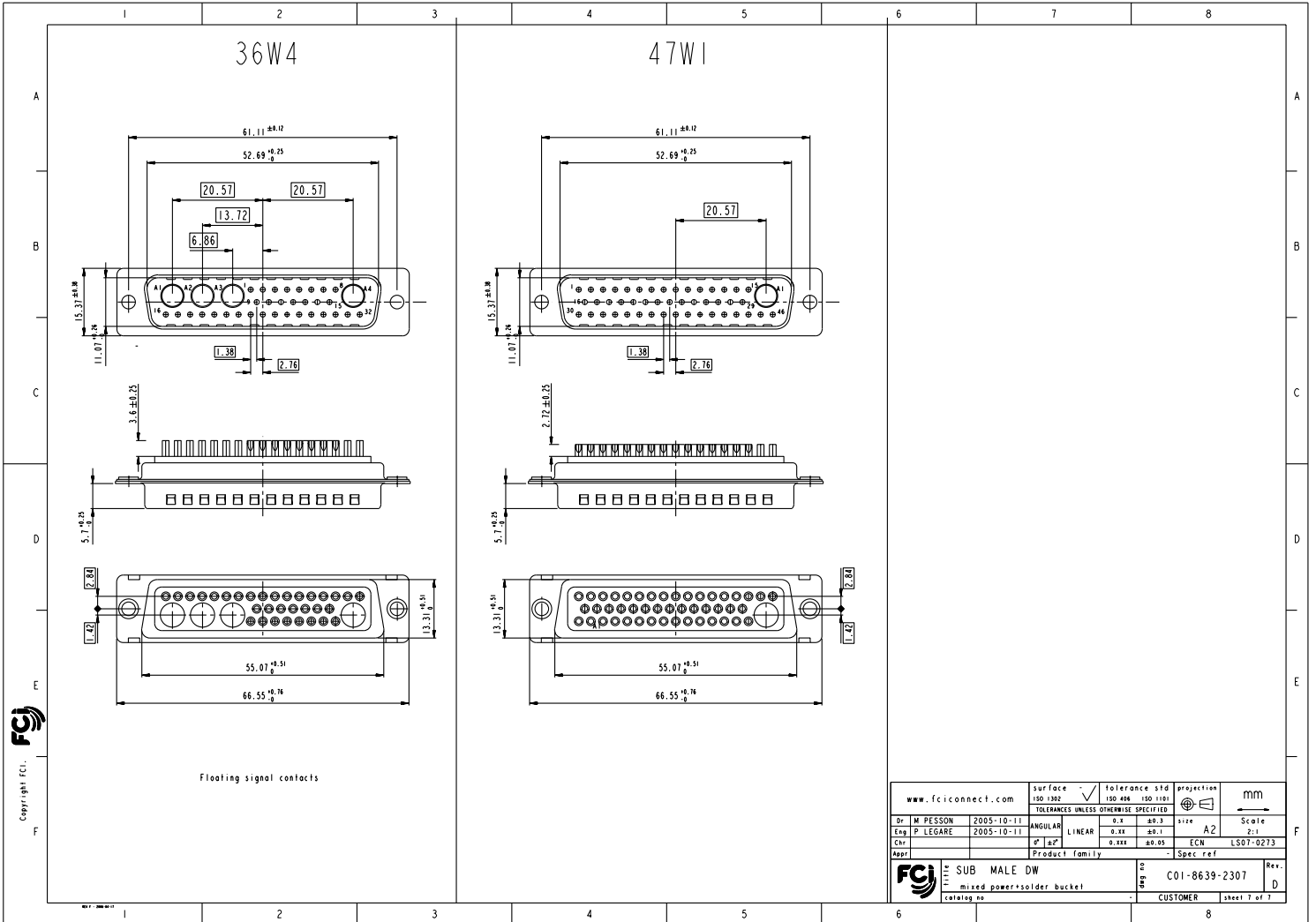
PDM: Rev:D STATUS Released Printed: Oct 01, 2010



PDM: Rev:D

STATUS Released

Printed: Oct 01, 2010



PDM: Rev:D STATUS Released Printed: Oct 01, 2010