

## Veam VSC Series

19 Pin Connectors for  
Lighting Applications



*Engineered for life*

ITT's Veam VSC is a threaded coupling multi-pin cylindrical connector for lighting applications. Veam is well known for the quality and ruggedness of its popular quarter-turn lock "CIR Series" and has utilized CIR's superior design concepts to provide a very rugged version of the Socapex SL-419 connector family.

## Product Features

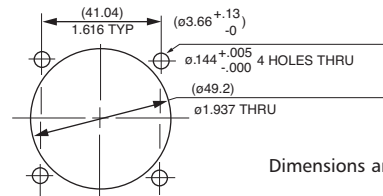


- Sealed to IP67 when mated
- Socapex compatible
- Machined aluminum shells
- Black, hard anodized (non-conductive) finish for scratch and wear resistant surface
- Heavy duty ribbed coupling ring to provide easy manual coupling and uncoupling
- Six circuit identification on front and rear of inserts
- Recessed area in back of Female insert to accept grounding disk
- Seven forward contacts for "First make, last break" grounding
- Insulating sleeve

## Technical Parameters

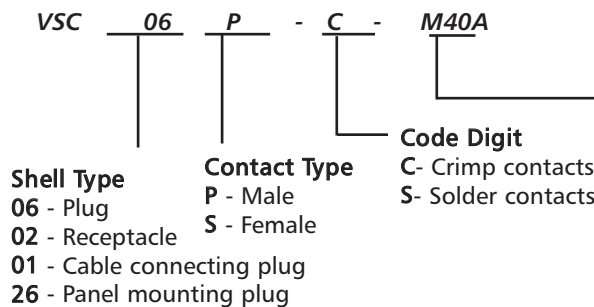
Voltage Rating: 700 VDC, 500 VAC  
 Current Rating: 41A max; 25A Rated  
 Temperature Rating: -55° C to +125° C  
 Contact Plating: Gold

### Mounting Hole Diagram



Dimensions are in (mm) inches

## Ordering Information



### Cable Clamp

<b>M40S</b>	15-23mm
<b>M40A</b>	19-28mm
<b>M40B</b>	22-32mm
<b>PG29</b>	18-26mm
<b>B01</b>	10.3mm diameter European
<b>B02</b>	.450mm diameter SJO USA
	11.8 mm diameter European
<b>B03</b>	.610mm diameter SO USA

## Male Connectors

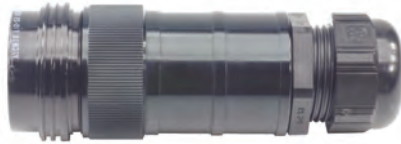


Inline complete with an aluminum backshell and a compression grip cable seal (see cable range above). Both solder or crimp contacts available.

Inline complete with an aluminum backshell and a break out strain relief system (see cable range above). Both solder or crimp contacts available. Watertight to IP67.

Panel Plug (see mounting hole dimensions above). Both solder or crimp contacts available.

## Female Connectors



Inline complete with an aluminum backshell and a compression grip cable seal (see cable range page 2). Both solder or crimp contacts available.



Inline complete with an aluminum backshell and a break out strain relief system (see cable range page 2). Both solder or crimp contacts available.



Panel receptacle (see mounting hole dimensions on page 2). Both solder or crimp contacts available.

## Contacts



Crimp



Solder

Male (pin) copper alloy, gold plated.  
Accommodates wire size 12 to 14 AWG  
P/N 49102T58 male crimp  
P/N 49150T58 male solder

Female (socket) copper alloy, gold plated.  
Accommodates wire sizes 12 to 14 AWG.  
P/N 49103T58 female crimp  
P/N 49151T58 female solder

## Panel Gasket



Neoprene .063" thickness, for use with male or female panel mount.  
P/N 98901

## Ground Disc



Ground disc is a perforated press-on metal disc used to buss together the ground ring of contacts used in a 6 circuit cable system.

P/N 99197-6-10T12

## Assembly Tools



1. Crimp tool frame A manual ratchet action crimper with 4-point indent. Guarantees repeatable gas-tight crimp connections. Specify P/N AF8
2. Contact positioner A turret used to position the contacts for proper crimp location. Specify P/N A98906VSC
3. Insertion tool Used to install contacts from the rear of the insert. Specify P/N 46736
4. Extraction tool kit Consists of a handle with two tips and is used to push out both male and female contacts from the front of the connector. Specify P/N A43240VSC
5. Hex wrench Used to attach the turret to the crimp tool frame. Specify P/N M2700-420

Pneumatic crimp tools also available.





## **Veam Customer Support Locations**

### **AMERICAS**

100 New Wood Road  
Watertown, CT 06795  
phone: 1.860.274.9681  
fax: 1.860.274.4963

### **EUROPE**

#### **Germany**

Postfach 1120, Cannonstrasse1  
Weinstadt, 71365  
phone: 49.7151.699.0  
fax: 49.7151.699.217

#### **Italy**

Corso Europa 41/43  
Lainate (MI),  
Italy 20020  
phone: 39.02938721  
fax: 39.0293872300

### **UK**

Jays Close, Viabes Estate  
Basingstoke, RG22 4BA  
phone: 44.1256.311200  
fax: 44.1256.323356