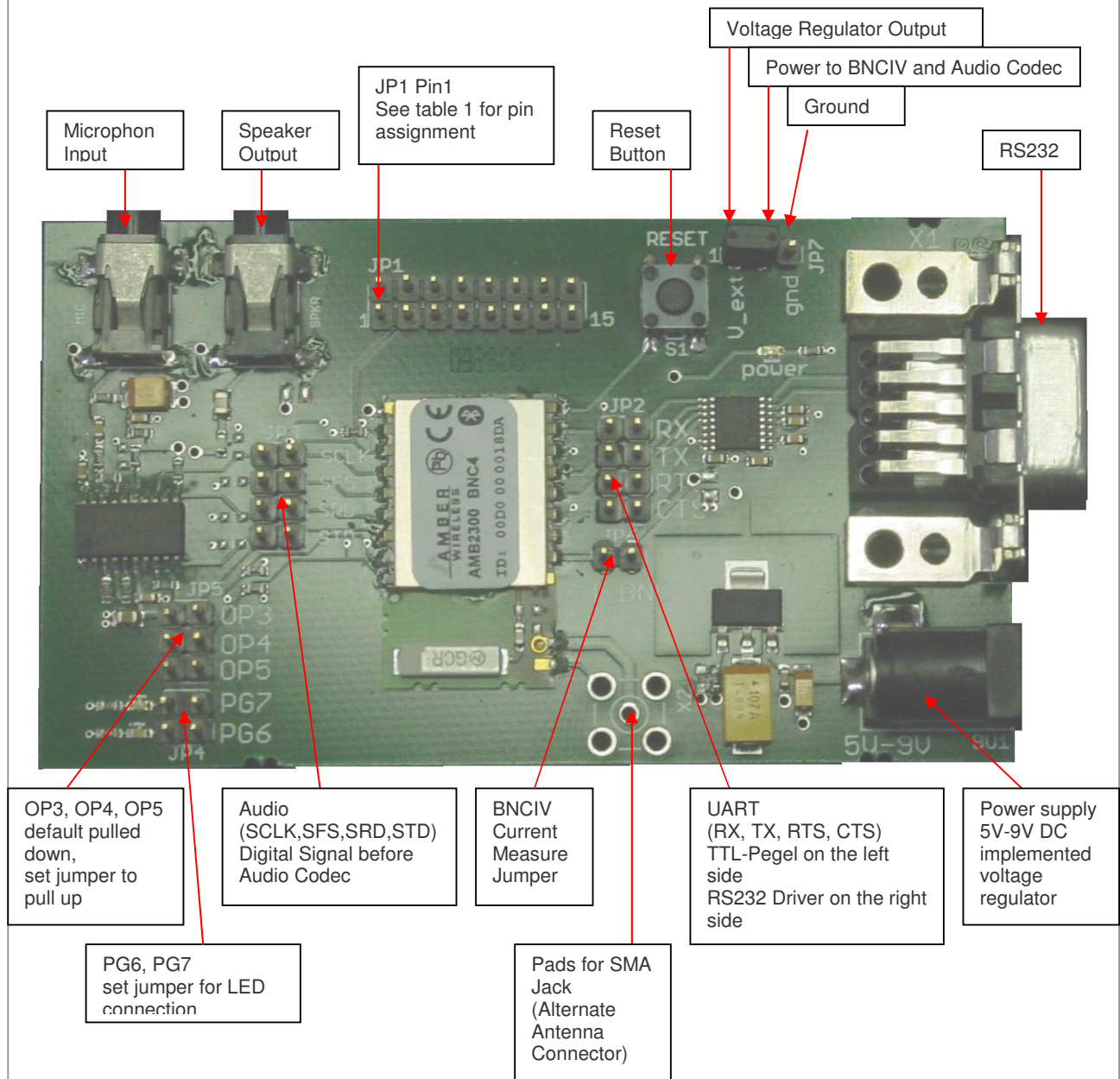


AMB2300-EV

Quick start for the Evaluation board of the AMB2300 – BlueNiceComIV

In Addition to the AMB2300 Manual

Connection Diagram



AMB2300-EV-DS-Rev. 1.0 Stand 10/2006

Pin Assignment

Pin Number	Signal
1	GND
2	3,3V supplying BNCIV and Audio Codec ¹
3	OP3
4	PG7
5	SCLK
6	SFS
7	SRD
8	STD
9	OP5
10	OP4
11	PG6
12	RX (BNCIV Input)
13	TX (BNCIV Output)
14	/RTS (BNCIV Output)
15	/CTS (BNCIV Input)
16	RESET

table 1

For additional information read the AMB2300 Manual or the LMX9830 Datasheet.

Factory Jumper Settings:
All jumper set.

UART: 921.6 kbps, 8 databits, no parity, 1 stopbit, hardware handshake enabled
 Power Regulator: Internal power-regulator enabled
 Audio Codec: enabled
 RS232: enabled
 PG6,PG7: LEDs connected

Attention:

RS232 connect directly to PC, no null-modem-cable required.

¹ It is possible to supply external components with up to 20mA at temperatures between 0°C to 60°C