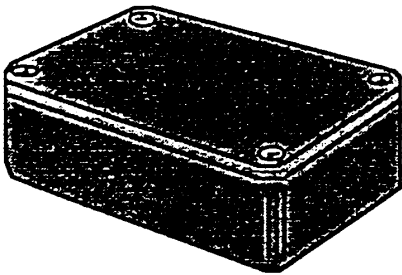


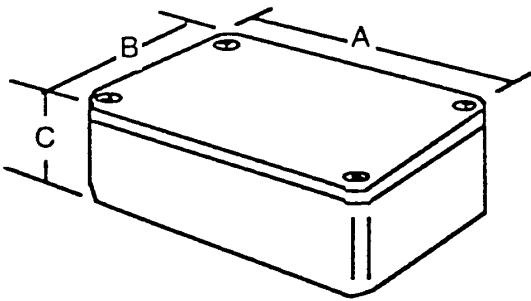
645-680/692

NEW PRODUCTS FROM BCL



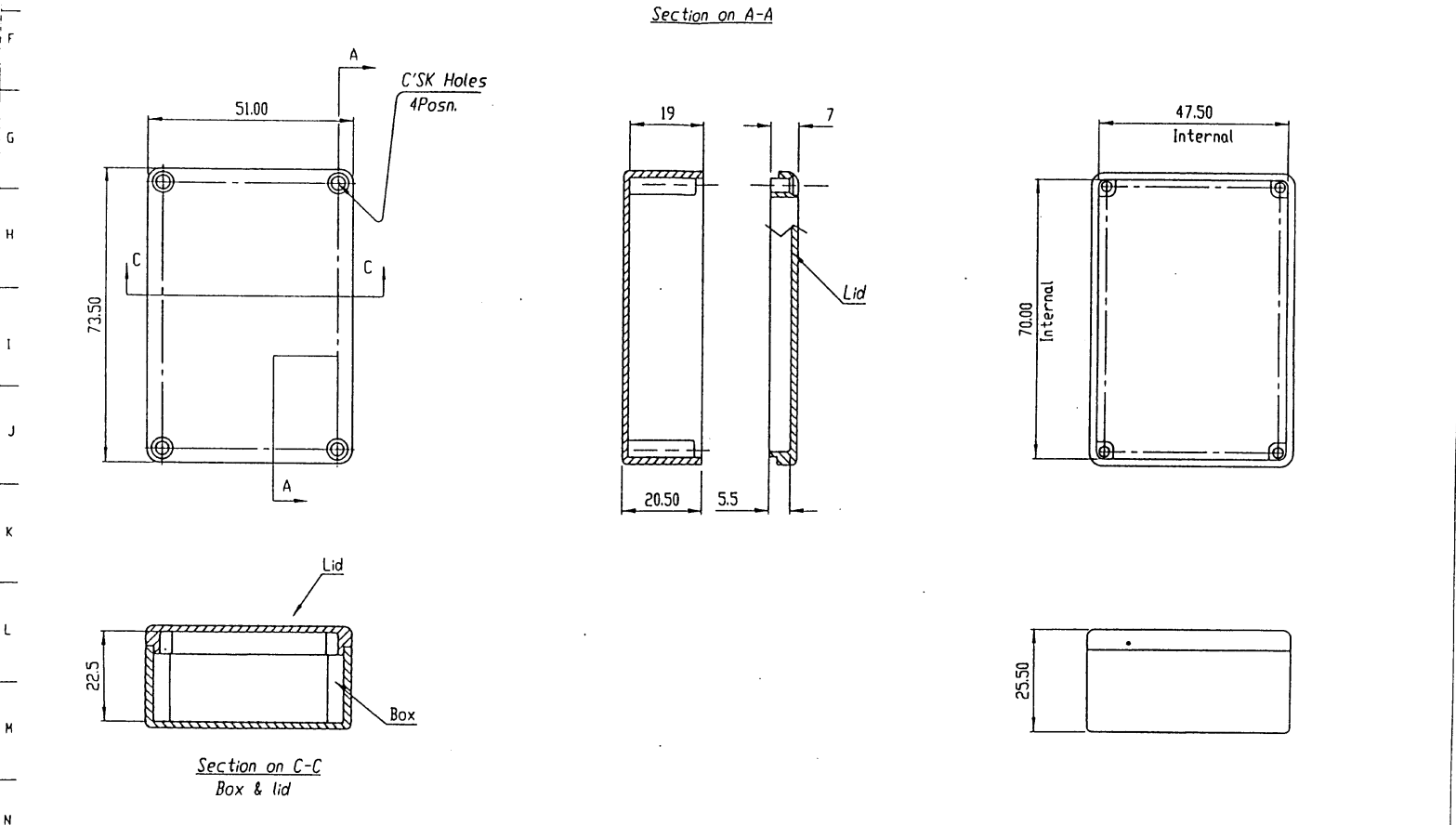
SMALL MULTIPURPOSE BOX WITH LID

These boxes are moulded in ABS to give maximum strength but can be easily punched or drilled for individual requirements and to produce a professional looking end product. They are available in black or white with a MATT finish as standard. Other colours may be available on request should you require to add that individual touch to your products.



Part No.	Overall Dimensions mm			Nominal Wall Thickness
	A	B	C	
HBT3	73.5	51	25.5	1.75
HBT3W	73.5	51	25.5	1.75

Lid retained by countersunk self tapping screws.



1	2	3	4	5	6	7	8	9	10	11	12	13	14	15
DRAWN AK		USED ON:		GENERAL TOLERANCES UNLESS OTHERWISE STATED			HOLE SIZES		MATL: ABS		BCL DISTRIBUTION Hornbeam Park, Hookstone Road, Harragate, North Yorkshire, HG2 8QT			
SURFACE TEXTURE Fine spark		UP TO 200 0.2 ±		200 TO 500 ±		UP TO 70 ± 0.1		General Purpose		TITLE		DRAWING No.		
A 23.03.96		K.A		500 ±		70 ± 0.1		Grade 103		MOULDED BOX & LID		HBT3		
ISS.	DATE	MOD No.	CHECKED	STAMP PART No. WHERE SHOWN.			SCALE: 1:1		BASED ON:		SHEET 1 OF 1 SHEETS			