

FRP NEMA rating 3, 3R, 4, 4X, 12 & 13 CVJ Series with 2 Captive Stainless Steel Cover Screws and a Stainless Steel Piano Hinge. Clearview Bonded Window on Cover



FEATURES

- All CVJ Series enclosures are designed to meet the Joint Industrial Council (JIC) standards in the United States.
- CVJ's are made from corrosion resistant hot compression molded fiberglass reinforced polyester with transparent lexana windows. These enclosures do not contain halogens.
- The CVJ Series "HW" enclosures include two stainless steel captive screws and a stainless steel piano hinge that secure the cover to the base. Two threaded brass inserts contained in the base secure the cover screws, rivets connect the hinge to the cover and self-tapping screws connect the hinge to the base.
- Seven sizes are available from 6" x 6" to 18" x 16"
- Vynckier's CVJ enclosures are capable of withstanding continuous temperatures from -58°F (-50°C) up to 302°F (150°C).
- CVJ enclosures provide protection for equipment and operators from indirect

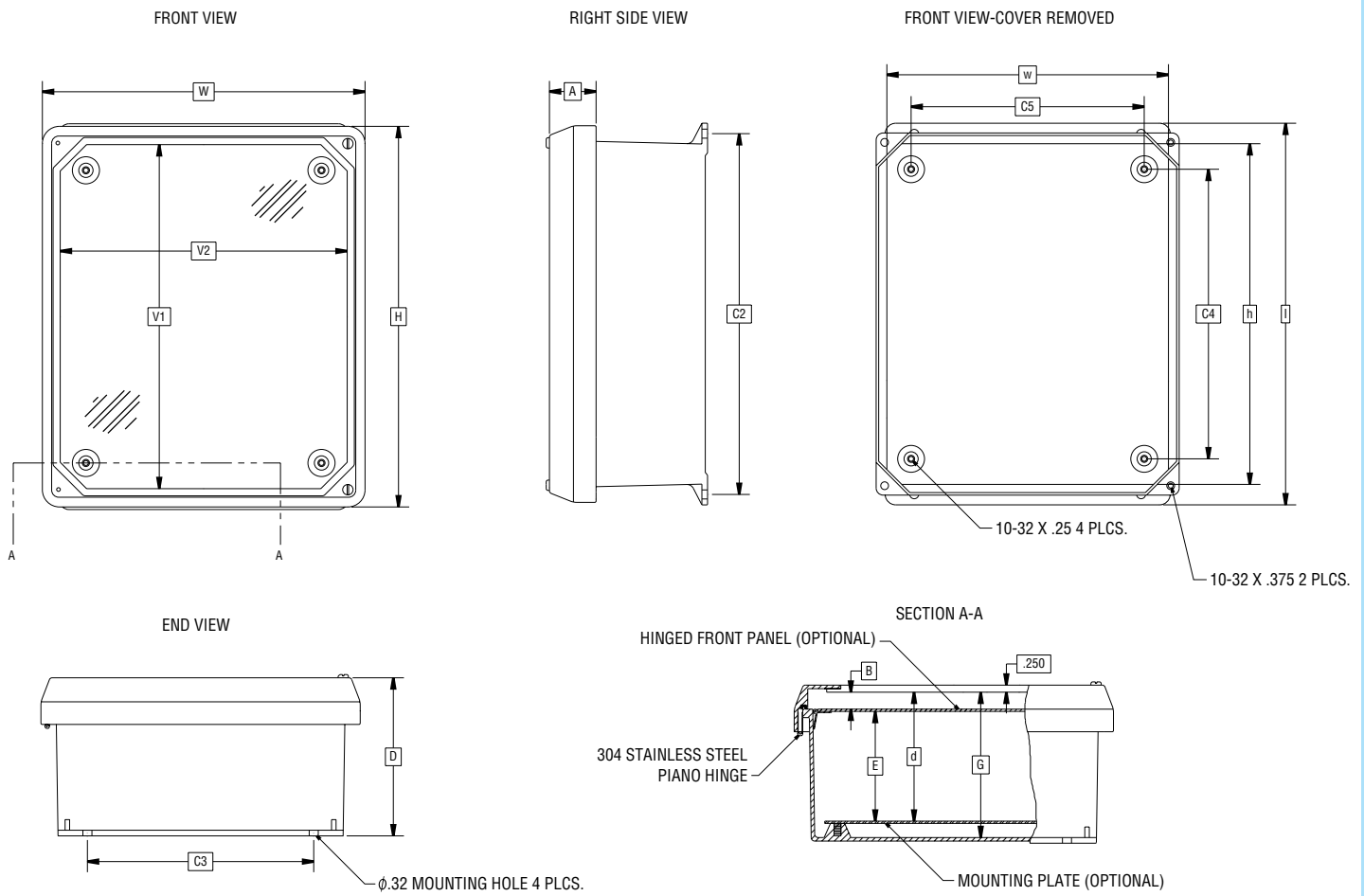
electrical contact.

- All CVJ enclosures are UL listed per UL Standard 508 for NEMA 3, 3R, 4, 4X, 12 & 13; CSA Certified per Standard C22.2-0, 0.4, 0.7, 0.6, 94 Type 3, 3R, 4, 4X, 12 & 13.

OPTIONAL ACCESSORIES

- Aluminum, Painted Steel or non-metallic Mounting Plates
- Aluminum Hinged Front Plates
- Aluminum Front Plates with quarter turn brackets
- MEDV Air Vents
- Backpanel stand-offs in four different lengths

Cover Window SS Hinge & Screws Pt. #	Outside Dimension			Inside Dimension			Weight	Mounting Plates				Front Panels	
	H	W	D	h	w	d		Aluminum	Steel	Non-Metallic	Dimensions	Plain	Hinged
CVJ606HW (mm)	7.31 (186)	7.31 (186)	4.96 (126)	6.00 (152)	6.00 (152)	4.10 (104)	2.8 lb 1.27 kg	MP606A	MP606S	MP606N	4.88 x 4.88 (124 x 124)	VFP606A	VFPH606A
CVJ806HW (mm)	9.30 (236)	7.31 (186)	4.96 (126)	8.00 (203)	6.00 (152)	4.10 (104)	3.8 lb 1.72 kg	MP806A	MP806S	MP806N	6.75 x 4.88 (171 x 124)	VFP806A	VFPH806A
CVJ1008HW (mm)	11.31 (287)	9.31 (236)	5.43 (138)	10.00 (254)	8.00 (203)	4.59 (117)	4.8 lb 2.17 kg	MP1008A	MP1008S	MP1008N	8.75 x 6.88 (222 x 175)	VFP1008A	VFPH1008A
CVJ1210HW (mm)	13.30 (338)	11.29 (287)	5.58 (142)	12.00 (305)	10.00 (254)	4.74 (120)	6.3 lb 2.85 kg	MP1210A	MP1210S	MP1210N	10.50 x 8.88 (267 x 226)	VFP1210A	VFPH1210A
CVJ1412HW (mm)	15.32 (389)	13.30 (338)	6.70 (170)	14.00 (356)	12.00 (305)	5.74 (146)	8.6 lb 3.90 kg	MP1412A	MP1412S	MP1412N	12.75 x 10.88 (324 x 276)	VFP1412A	VFPH1412A
CVJ1614HW (mm)	17.31 (440)	15.30 (389)	6.70 (170)	16.00 (406)	14.00 (356)	5.74 (146)	10.6 lb 4.80 kg	MP1614A	MP1614S	MP1614N	14.75 x 12.88 (375 x 327)	VFP1614A	VFPH1614A
CVJ1816HW (mm)	19.31 (490)	17.31 (440)	9.58 (243)	18.00 (457)	16.00 (406)	8.62 (219)	14.0 lb 6.34 kg	MP1816A	MP1816S	MP1816N	16.75 x 14.88 (426 x 378)	VFP1816A	VFPH1816A



Cover Window SS Hinge & Screws Pt. #	Outside Dimension			Inside Dimension			Dimensions										Window	
	H	W	D	h	w	d	A	B	C1	C2	C3	C4	C5	E	G	I	V1	V2
CVJ606HW (mm)	7.31 (186)	7.31 (186)	4.96 (126)	6.00 (152)	6.00 (152)	4.10 (104)	1.38 35	0.50 13	-	6.77 172	4.01 102	4.26 108	4.25 108	3.70 94	4.64 118	7.52 191	6.00 152	6.00 152
CVJ806HW (mm)	9.30 (236)	7.31 (186)	4.96 (126)	8.00 (203)	6.00 (152)	4.10 (104)	1.77 45	1.65 42	-	8.74 222	4.01 102	6.26 159	4.25 108	3.70 94	4.64 118	9.50 241	8.00 203	6.00 152
CVJ1008HW (mm)	11.31 (287)	9.31 (236)	5.43 (138)	10.00 (254)	8.00 (203)	4.59 (117)	1.77 45	1.65 42	-	10.75 273	6.02 153	8.25 210	6.24 158	3.92 100	5.12 130	11.52 293	10.00 254	8.00 203
CVJ1210HW (mm)	13.30 (338)	11.29 (287)	5.58 (142)	12.00 (305)	10.00 (254)	4.74 (120)	1.77 45	1.65 42	-	12.75 324	8.01 203	10.25 260	8.25 210	4.10 104	5.24 133	13.51 343	12.00 305	10.00 254
CVJ1412HW (mm)	15.32 (389)	13.30 (338)	6.70 (170)	14.00 (356)	12.00 (305)	5.74 (146)	1.77 45	1.65 42	-	14.75 375	10.00 254	12.25 311	10.24 260	4.98 126	6.38 162	15.50 394	14.00 356	12.00 305
CVJ1614HW (mm)	17.31 (440)	15.30 (389)	6.70 (170)	16.00 (406)	14.00 (356)	5.74 (146)	1.77 45	1.65 42	-	16.73 425	12.00 305	14.25 362	12.24 311	4.98 126	6.38 162	17.52 445	16.00 406	14.00 356
CVJ1816HW (mm)	19.31 (490)	17.31 (440)	9.58 (243)	18.00 (457)	16.00 (406)	8.62 (219)	1.77 45	1.65 42	-	18.74 476	12.00 305	16.25 413	14.25 362	7.86 200	9.25 235	19.50 495	18.00 457	16.00 406