

BOXES with FIXING LUGS

GENERAL PURPOSE BOXES WITH BASE AND SLOTTED MOUNTING LUGS

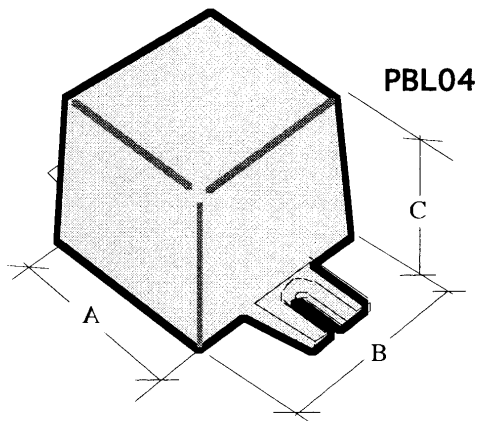
A range of 5 low cost general purpose boxes moulded in black ABS for housing small electronic circuits.

They can be easily punched or drilled for individual requirements.

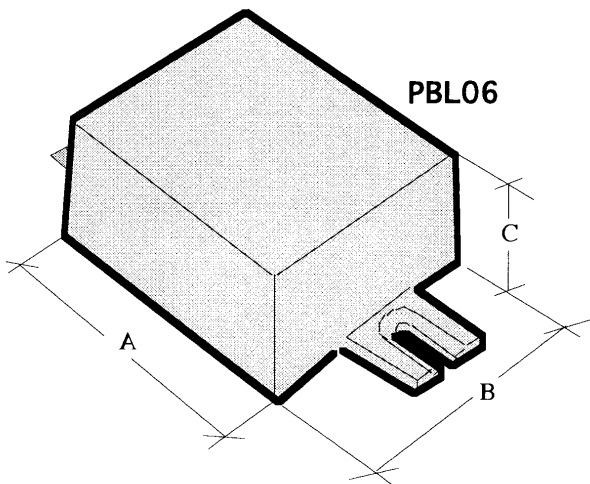
The bases on the PBL04, PBL06 and PBL1 are intended as an interference fit b could be glued to provide a secure housing.

The bases on the PBL08 and PBL09 are retained by the 4 stainless steel screws provided. The slotted fixing lugs allow the finished product to be fixed in place with an allowance for misalignment.

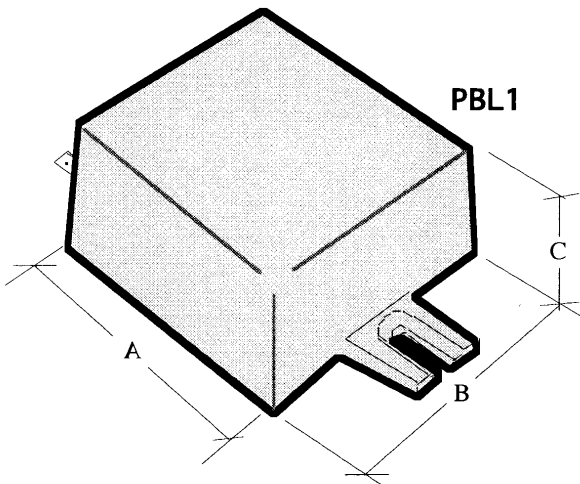
Designed for automobile applications yet versatile enough for a variety of projects.



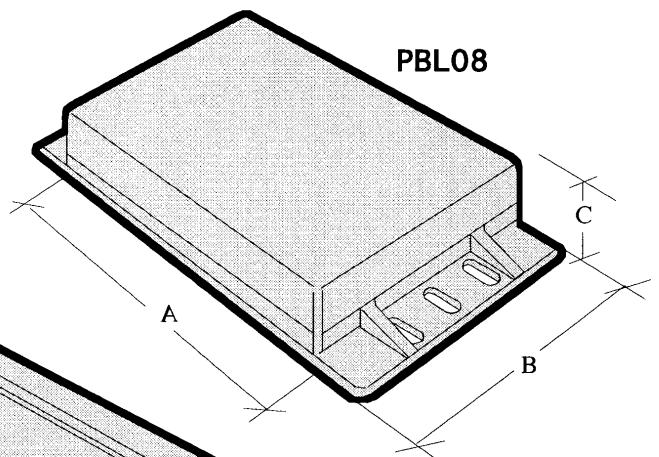
PBL04



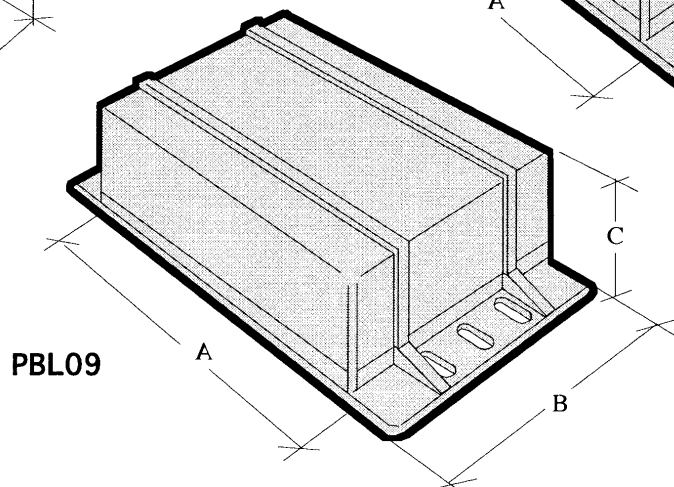
PBL06



PBL1



PBL08



PBL09

Part No.	Overall Dimensions mm			Nominal Wall Thickness
	A	B	C	
PBL04	42	42	40	2.5
PBL06	66	50	34	2.5
PBL1	58	58	31	2.5
PBL08	72	50	17	2.5
PBL09	72	50	27	2.5

We will be pleased to quote for other sizes of similar boxes.

