

CEQ12A Battery Balancer

- Improves performance and extends life of batteries charged in series
- Can be used with two or more batteries connected in series, for more than two batteries use n-1 balancers
- Terminates in M3 ring terminals for ease of connection
- Dust and water sealed, suitable for damp environment
- Ideal for electric vehicles
- Suitable with all types of 12V lead acid batteries (6V and 10V balancers available on request)



The CEQ12A is an electronic device used to equalise the charging voltage of multiple batteries connected in series.

A recognised drawback when charging two batteries in series is that one becomes under-charged, the other over-charged. This imbalance is self-perpetual and shortens the life of both batteries due to drying out (caused by overcharging) and sulphating (caused by under-charging).

The CEQ12A addresses this issue by measuring the total charging voltage, calculating this middle value, and adjusting the voltage to each of the two batteries to within 0.1V of each other. This ensures even charging. The maximum current flow is 1A.

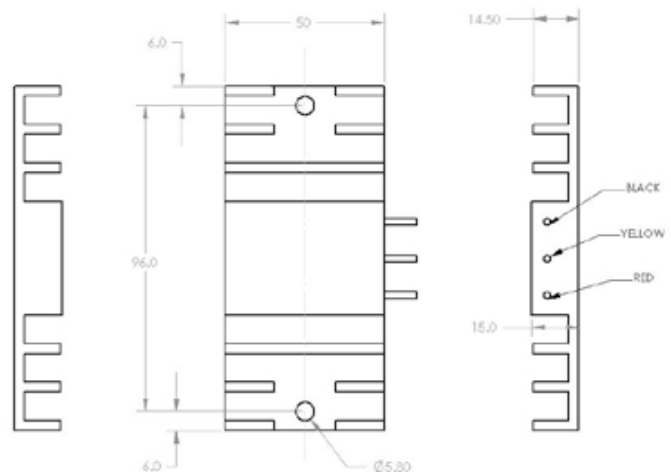
By providing an equal charge to each battery sulphation and drying out are reduced and battery life is extended.

Applications

- A battery balancer will improve the lifetime and performance of any application in which two or more batteries are used in series:
- Electric vehicles
 - golf buggies
 - mobility scooters
 - fork-lift trucks
- Uninterruptable power supplies
- Radio equipment
- Industrial floor cleaners

Mechanical and Technical Specifications

Voltage range	8-16V DC per battery
Target operating voltage	> 12.8V per battery
Differential sensitivity	>50mV
Maximum current flow	1A
Operating temperature	-40°C to 85°C
Weight	120g



Connections

Lead Colour	Length	Termination	Connection
Red Lead	57mm	M3 Ring	Battery 1 Positive
Yellow Lead	57mm	M3 Ring	Battery 1 Negative and Battery 2 Positive
Black Lead	57mm	M3 Ring	Battery 2 Negative

