

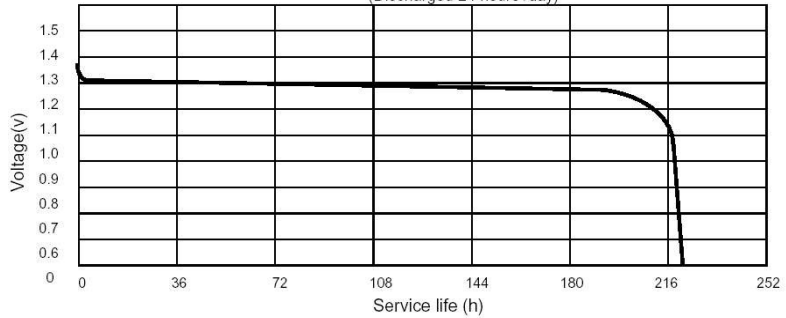
battery type: Zinc - air button cell (hearing aid battery)
battery size: A10; PR70
chemical system: Alkaline Zinc - Air

nominal voltage: 1,4V **conditions** no load

capacity
rated: 100mAh at 3000ohms load; discharge 24h/day;
 25°C; RH 60%; End Voltage 0,9V

operating time: min. 185h ditto.

discharge diagram: DISCHARGE CHARACTERISTICS AT 3KΩ 25°C RH 60%
 (Discharged 24 hours /day)



Impedance: ≤ 7ohms at 1000Hz

impulse load voltage: ≥ 1,1V measured after 2s load
 load resistance 270ohms

limiting current: 4mA at 1,1V

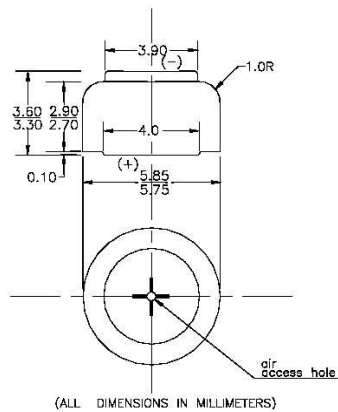
operating temperature range: 0...50°C


recommended storage temperature range: 5...25°C

mechanical specifications
average weight: 0,31g

volume: 0,08cm³

dimensions:



	specifications for model/type:	A10 Zinc Air Battery
	Ansmann drawing number / part number:	5013223
	author / date:	Gramlich / 28.02.2008