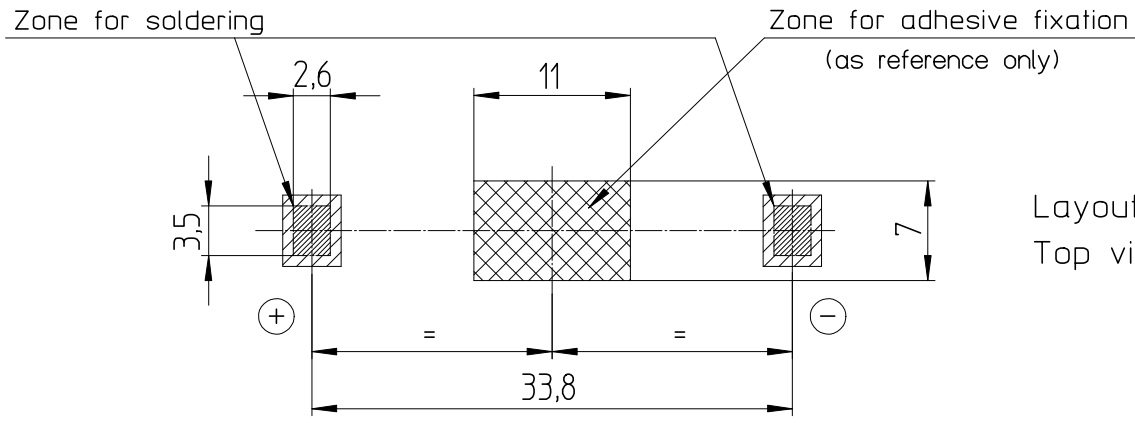
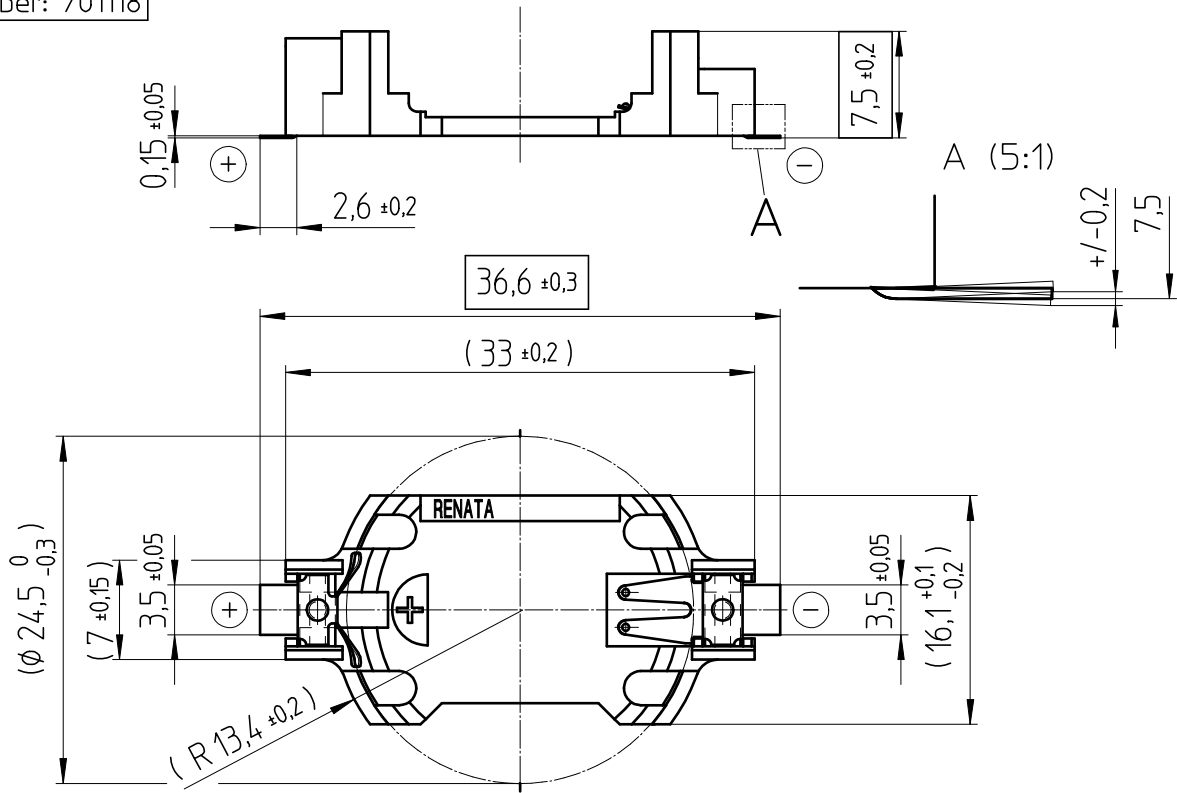


Art.-Number: 701118



Samples can deviate in the execution from the serie.

Dimensions and tolerances can be specified only after the testing of the devices for the mass production definitely

- Holder material : heat resistant, glass-fiber reinforced LCP
- Battery contacts : spring stainless steel 301 nickel plated, thickness 10µm
- Solder contacts : spring stainless steel 301 solder plated throughout 100% Sn, thickness 10µm

All framed values will be used for dimension checking !

Rev.	①	07.09.07	MCi	Rev.	○			Customer's Approval			
Rev.	②	24.10.07	SRI	Rev.	○			Date			
Rev.	③	18.12.07	SRI	Rev.	○			Signature			
Titel:							Scale 2:1	Drawn	25.01.05	SRI	
SMTU2450N-LF								Checked	18.12.07	HHo	
								Approved	19.12.07	EWe	
							CH-4452 Itingen Switzerland		3.8762.4-3		