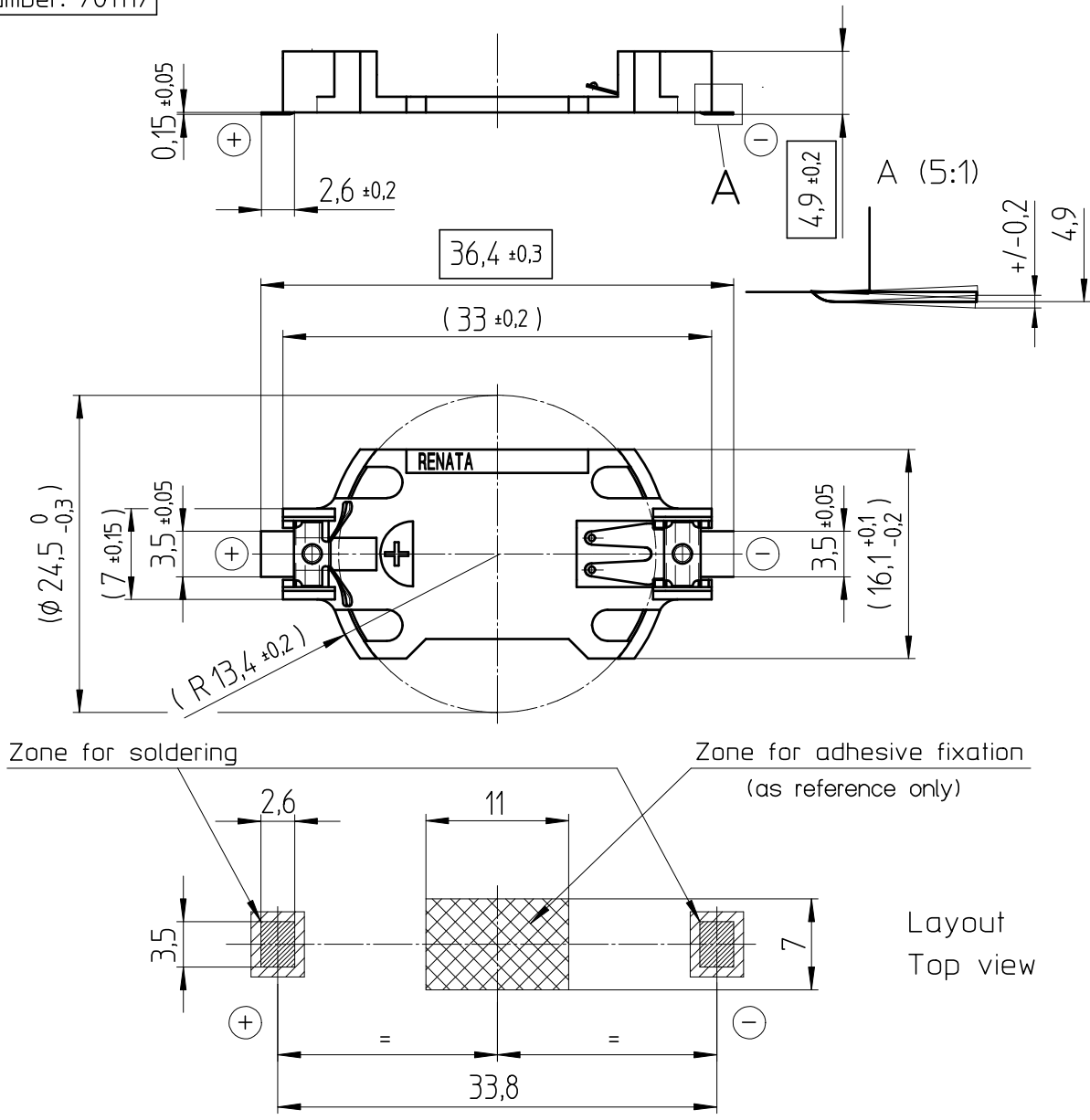


Art.-Number: 701117



Samples can deviate in the execution from the serie.

Dimensions and tolerances can be specified only after the testing of the devices for the mass production definitely

- Holder material : heat resistant, glass-fiber reinforced LCP
- Battery contacts : spring stainless steel 301 nickel plated, thickness 10µm
- Solder contacts : spring stainless steel 301 solder plated throughout 100% Sn, thickness 10µm

All framed values will be used for dimension checking !

| | | | | | | | | | | | |
|-------------|---|----------|-----|------|---|--|--------------------------------|---------------------|------------|-----|--|
| Rev. | ① | 07.09.07 | MCi | Rev. | ○ | | | Customer's Approval | | | |
| Rev. | ② | 24.10.07 | SRi | Rev. | ○ | | | Date | | | |
| Rev. | ○ | | | Rev. | ○ | | | Signature | | | |
| Titel: | | | | | | | Scale 2:1 | Drawn | 25.01.05 | SRi | |
| SMTU2430-LF | | | | | | | | Checked | 24.10.07 | BBö | |
| | | | | | | | | Approved | 25.10.07 | MHo | |
| | | | | | | | CH-4452 Itingen Switzerland | | 3.8761.4-2 | | |