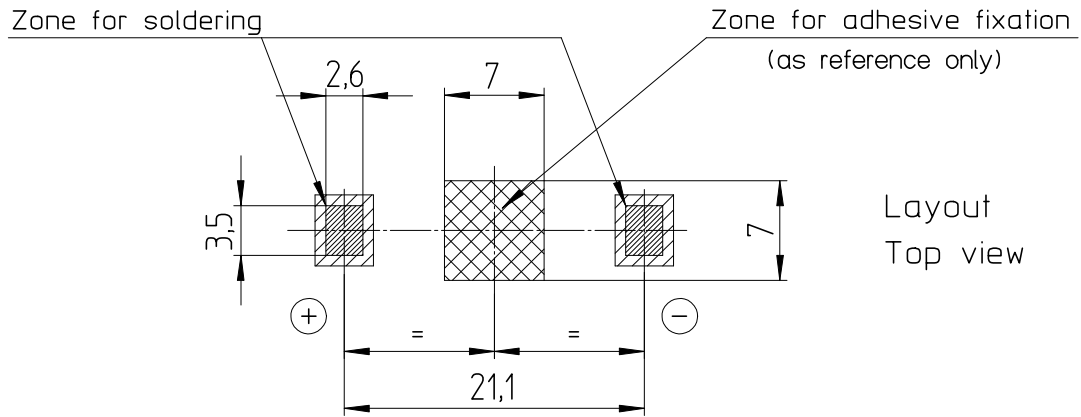
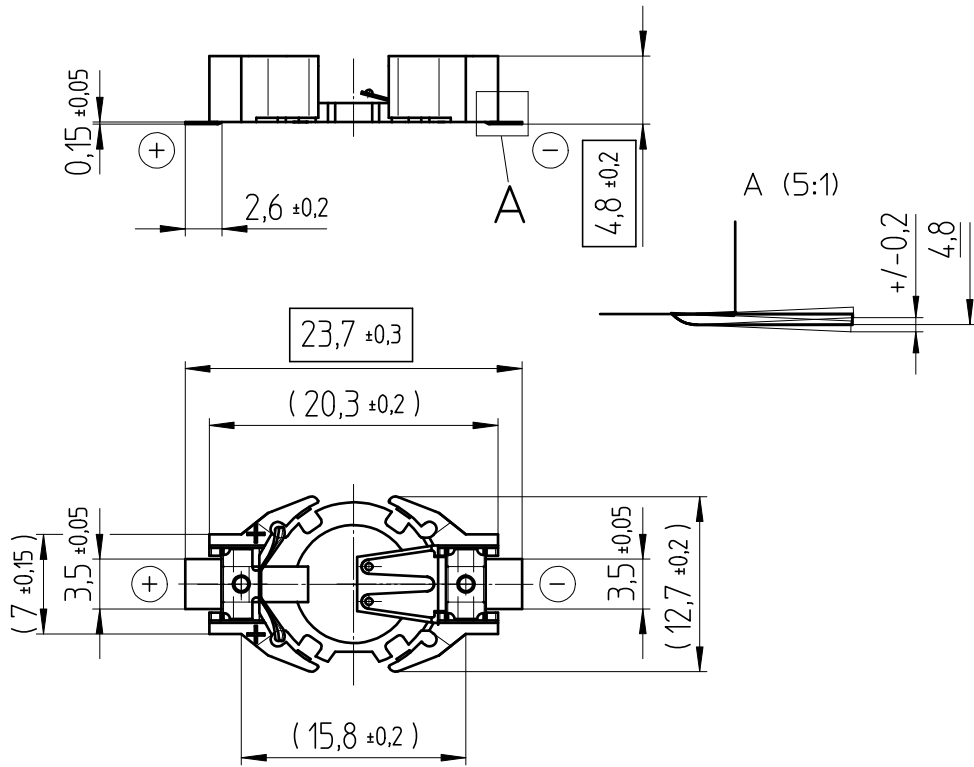


Art.-Number: 701115



Holder material : heat resistant, glass-fiber reinforced LCP

Battery contacts : spring stainless steel 301 nickel plated, thickness 10µm

Solder contacts : spring stainless steel 301 solder plated throughout 100% Sn, thickness 10µm

All framed values will be used for dimension checking !

Dimensions and tolerances can be specified only after the testing of the devices for the mass production definitely

Samples can deviate in the execution from the serie.

Rev.	①	07.09.07	MCI	Rev.	○				Customer's Approval		
Rev.	○			Rev.	○				Date		
Rev.	○			Rev.	○				Signature		
Titel:								Scale 2:1	Drawn	25.01.05	SRI
SMTU1225-LF									Checked	07.09.07	BBö
									Approved	07.09.07	MHo
						CH-4452 Itingen Switzerland		3.8759.4-1			