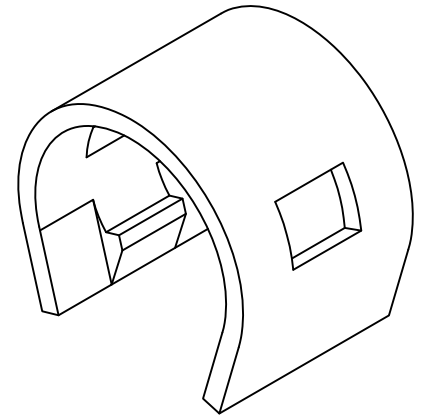
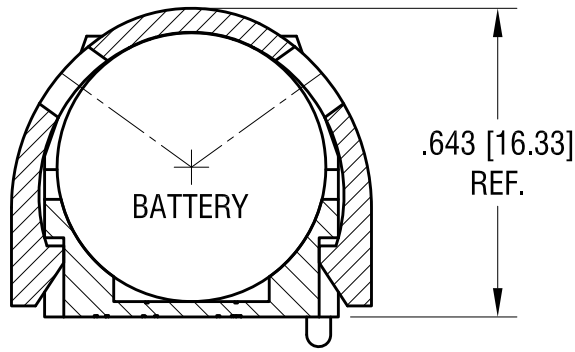
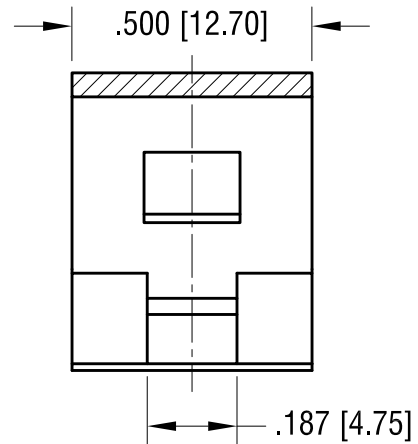
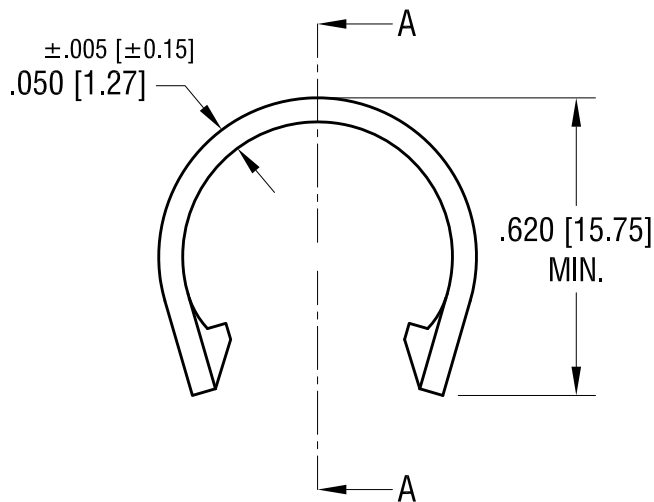


THIS DOCUMENT IS THE PROPERTY OF  
KEYSTONE ELECTRONICS CORP. AND  
SHALL NOT BE REPRODUCED, DISTRIBUTED  
OR USED AS A BASIS FOR MANUFACTURE  
WITHOUT PRIOR WRITTEN PERMISSION  
FROM KEYSTONE ELECTRONICS CORP.

COVER  
AS INSTALLED



SECTION A-A



**KEYSTONE ELECTRONICS CORP.**

www.keyelco.com • ASTORIA, N.Y. 11105-2017 • Tel (718) 956-8900

PART NAME

BATTERY HOLDER COVER

MATERIAL

PBT UL 94V-0, BLACK

FINISH

-

DRN BY

NT

DATE

12.10.09

APP'D

SCALE

2.5X

3.10.10 CHANGE AS PER ECN 10-021

A

TOLERANCES

INCH [MM]

DECIMAL ±.010 [±0.25]

ANGULAR ± 1°

UNLESS OTHERWISE SPECIFIED

CODE

C

DWG NO.

1024C

DATE

DESCRIPTION

REV.