



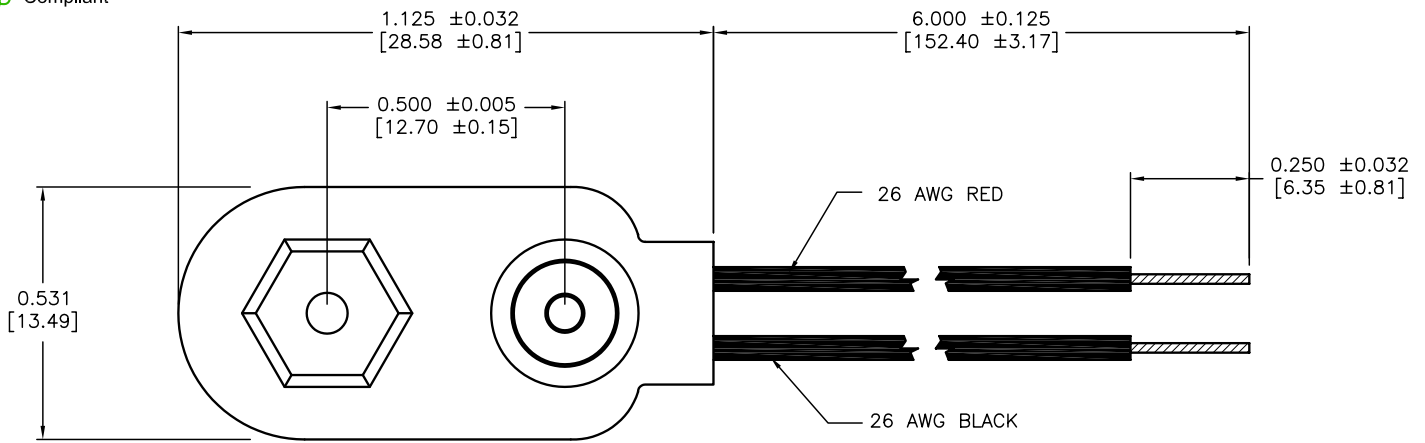
ALL RIGHTS RESERVED. NO PORTION OF THIS PUBLICATION, WHETHER IN WHOLE OR IN PART CAN BE REPRODUCED WITHOUT THE EXPRESS WRITTEN CONSENT OF SPC TECHNOLOGY.

SPC-F005.DWG

REVISIONS

DOC. NO. SPC-F005 \* Effective: 7/8/02 \* DCP No: 1398

DCP #	REV	DESCRIPTION	DRAWN	DATE	CHECKD	DATE	APPRVD	DATE
564	A	RELEASED	HYO	3/24/00	JC	10/6/00	DJC	10/9/00
1892	B	UPDATE TO ROHS COMPLIANT	EO	03/15/06	HO	3/15/06	HO	3/15/06



NOTES:

MATERIALS:

- 1- Wire: 26 AWG, 1007 UL/CSA Approved
- 2- Contacts: Brass, nickel plated, mounted on  
0.012 [0.30] Min. thickness PVC  
& .032 [0.81] thick fiber insulation.
- 3- Red wire connected to female contact
- 4- Black wire connected to male contact.

DISCLAIMER:  
ALL STATEMENTS AND TECHNICAL INFORMATION CONTAINED HEREIN ARE BASED UPON INFORMATION AND/OR TESTS WE BELIEVE TO BE ACCURATE AND RELIABLE. SINCE CONDITIONS OF USE ARE BEYOND OUR CONTROL, THE USER SHALL DETERMINE THE SUITABILITY OF THE PRODUCT FOR THE INTENDED USE AND ASSUME ALL RISK AND LIABILITY WHATSOEVER IN CONNECTION THEREWITH.

TOLERANCES:

UNLESS OTHERWISE SPECIFIED  
DECIMAL  
.XXX ± 0.015 [0.38]

DRAWN BY:	DATE:
HISHAM ODISH	3/24/00
CHECKED BY:	DATE:
JOHN COLE	10/6/00
APPROVED BY:	DATE:
DANIEL CAREY	10/9/00

DRAWING TITLE:

ECONOMY 9 VOLT BATTERY STRAP

SIZE	DWG. NO.	ELECTRONIC FILE	REV
A	8459-0674	16N942.DWG	B
SCALE: NTS	U.O.M.: INCHES [mm]	SHEET: 1 OF 1	