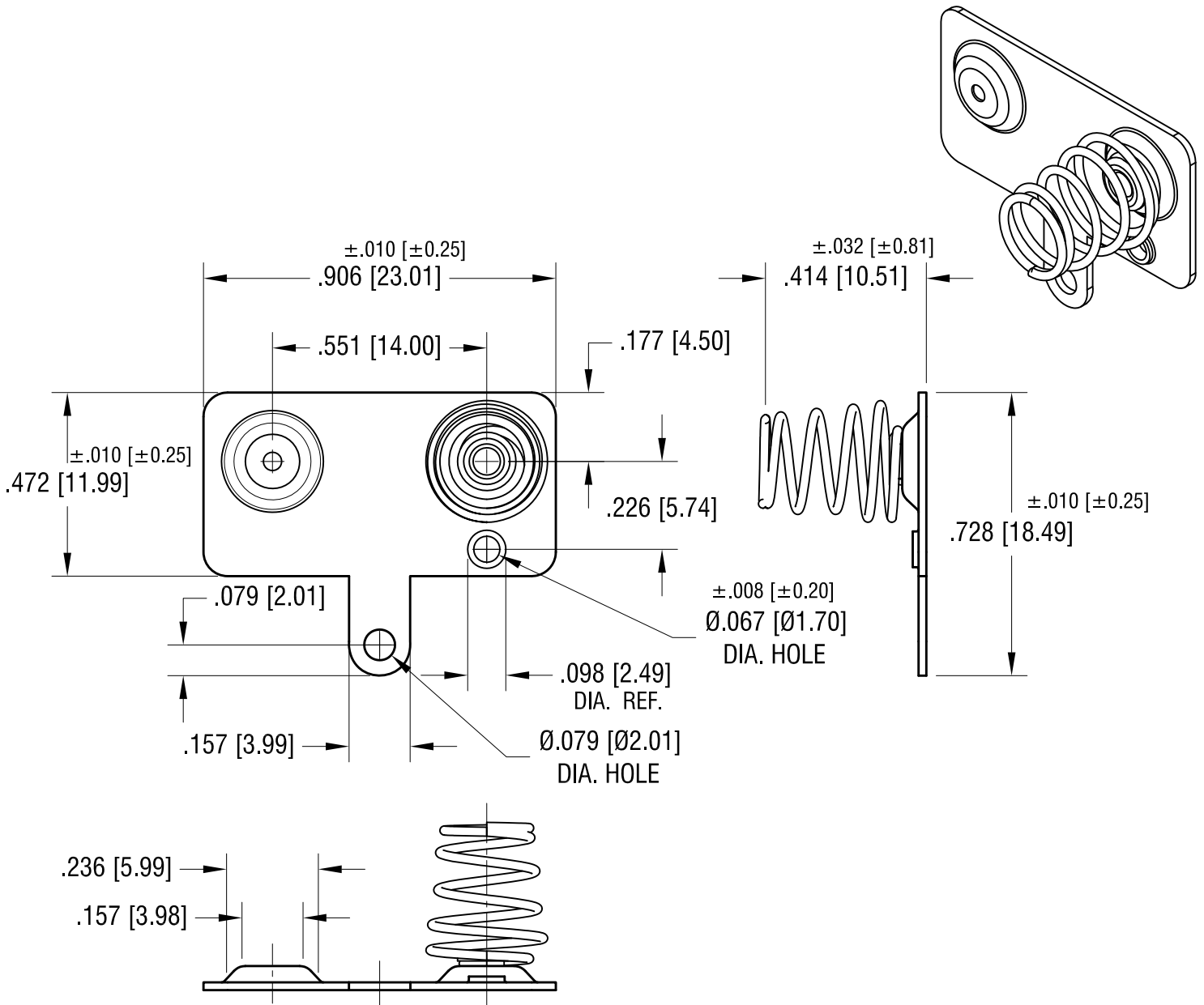


THIS DOCUMENT IS THE PROPERTY OF  
KEYSTONE ELECTRONICS CORP. AND  
SHALL NOT BE REPRODUCED, DISTRIBUTED  
OR USED AS A BASIS FOR MANUFACTURE  
WITHOUT PRIOR WRITTEN PERMISSION  
FROM KEYSTONE ELECTRONICS CORP.



NOTES:

- 1. BASE:  
MAT'L - .020 [0.50] TH'K STEEL
- SPRING CONTACT:  
MAT'L - .023 [0.58] DIA. MUSIC WIRE

|   |                 |        |             |
|---|-----------------|--------|-------------|
| <b>KEYSTONE ELECTRONICS CORP.</b>                               |                 |        |             |
| www.keyelco.com • ASTORIA, N.Y. 11105-2017 • Tel (718) 956-8900 |                 |        |             |
| PART NAME   |                 |        |             |
| 'A' - 'AA' DUAL M/F BATTERY CONTACT                             |                 |        |             |
| MATERIAL  |                 |        |             |
| AS NOTED  |                 |        |             |
| FINISH  |                 | DRN BY | DATE        |
| AS NOTED  |                 | NT     | 3.26.09     |
|   |                 | APP'D  | SCALE       |
|   |                 |        | 2.5X        |
| TOLERANCES  | INCH [MM]       | CODE   | DWG NO.     |
| DECIMAL   | ± .005 [± 0.15] | C/M    | <b>5210</b> |
| ANGULAR   | ± 1°            |        |             |
| UNLESS OTHERWISE SPECIFIED                                      |                 |        |             |

|      |             |      |  |
|------|-------------|------|--|
| DATE | DESCRIPTION | REV. |  |
|------|-------------|------|--|