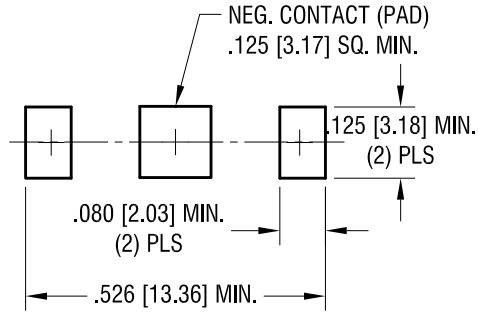


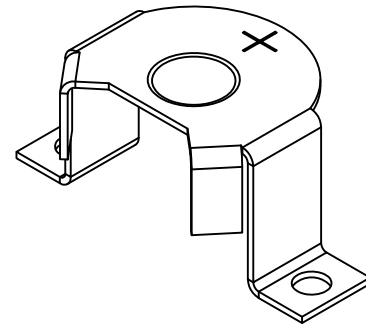
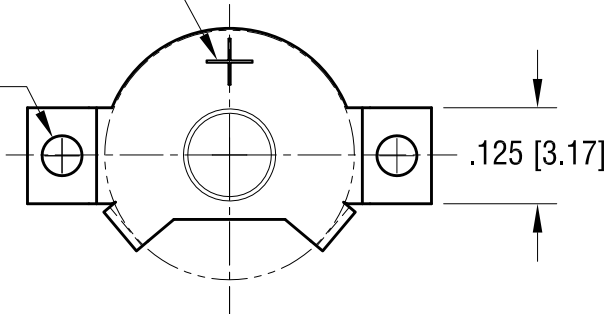
THIS DOCUMENT IS THE PROPERTY OF KEYSTONE ELECTRONICS CORP. AND SHALL NOT BE REPRODUCED, DISTRIBUTED OR USED AS A BASIS FOR MANUFACTURE WITHOUT PRIOR WRITTEN PERMISSION FROM KEYSTONE ELECTRONICS CORP.

### MOUNTING PAD LAYOUT

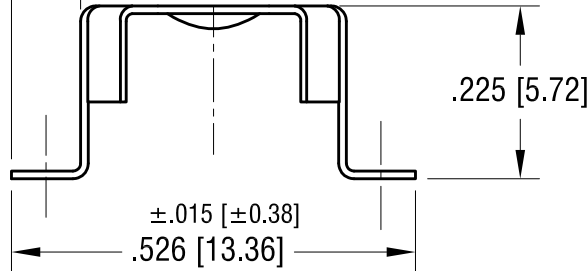


STAMP (+)  
AS SHOWN

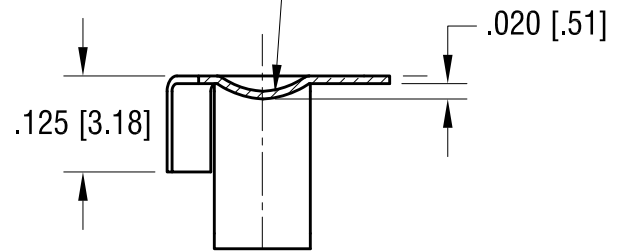
Ø.052 [Ø1.32]  
DIA. HOLE (2) PLS



±.015 [±0.38]  
.090 [2.29]  
(2) PLS



DIMPLE



## KEYSTONE ELECTRONICS CORP.

www.keyelco.com • ASTORIA, N.Y. 11105-2017 • Tel (718) 956-8900

PART NAME

SM HEARING AID BATTERY RETAINER (SIZE 13)

MATERIAL

.010 [0.25] TH'K PHOSPHOR BRONZE

FINISH

GOLD PLATE

DRN BY

NT

DATE

3.22.10

APP'D

SCALE

4X

TOLERANCES

INCH [MM]

DECIMAL ±.005 [±0.13]

ANGULAR ± 1°

UNLESS OTHERWISE SPECIFIED

CODE

C

DWG NO.

2988

DATE

DESCRIPTION

REV.