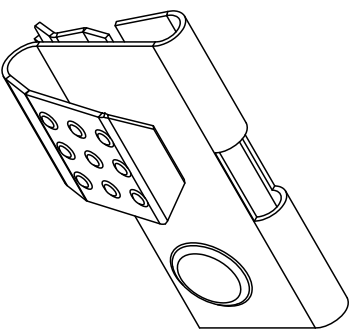
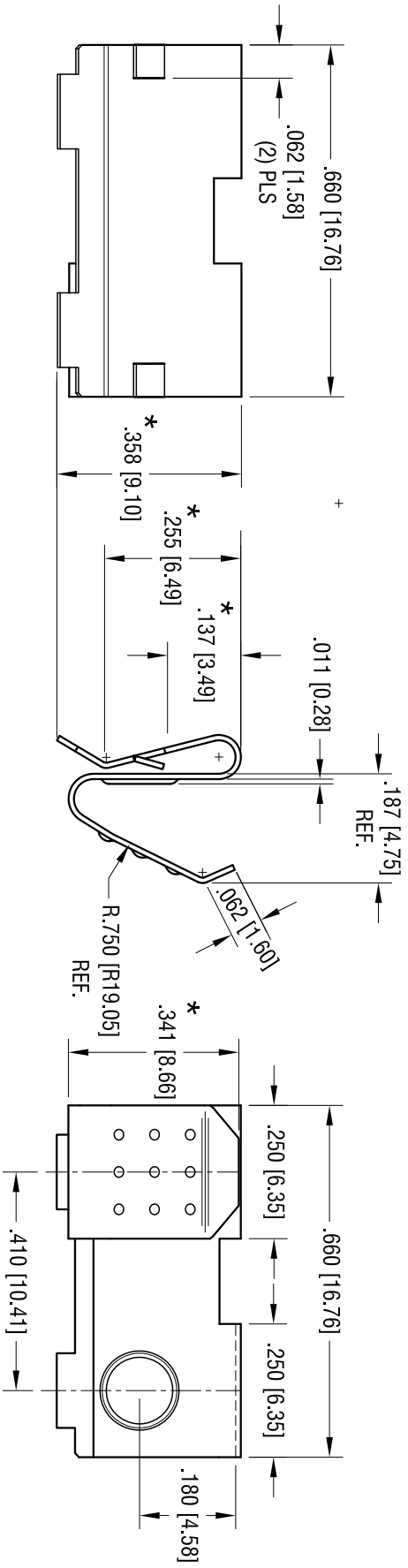


| DATE | DESCRIPTION | REV. |
|------|-------------|------|
| | | |



- NOTE:
1. HEAT TREAT TO SPRING TEMPER.
 2. DESIGNED TO CLIP OVER PANELS FROM .060 [1.52] THRU .070 [1.78] THK.
 3. * DENOTES ±.015 [±.38] TOLERANCE

THIS DOCUMENT IS THE PROPERTY OF KEYSTONE ELECTRONICS CORP. AND SHALL NOT BE REPRODUCED, DISTRIBUTED OR TRANSMITTED IN ANY FORM OR BY ANY MEANS WITHOUT WRITTEN PERMISSION FROM KEYSTONE ELECTRONICS CORP.

| | | | |
|--|-----------------|--------|---------|
| KEYSTONE ELECTRONICS CORP. www.keystec.com • ASTORIA, N.Y. 11105-2017 • Tel (718) 956-8900 | | | |
| PART NAME 'AAA' CONTACT (RIGHT) | | | |
| MATERIAL .010 [0.25] THK ANNEALED SPRING STEEL | | | |
| FINISH | NICKEL PLATE | DRN BY | NT |
| TOLERANCES | INCH [MM] | CODE | DWG NO. |
| DECIMAL | ± .010 [± 0.25] | C | 295 |
| ANGULAR | ± 1° | | |
| UNLESS OTHERWISE SPECIFIED | | APPD | DATE |
| | | | 6.25.10 |
| | | SCALE | 4X |