

BATTERY CONTACTS LAYOUT & MOUNTING DETAILS *Designers' Choice*



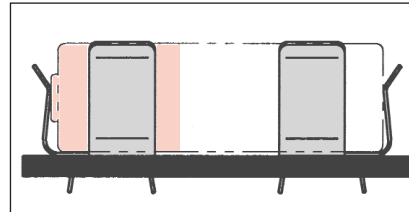
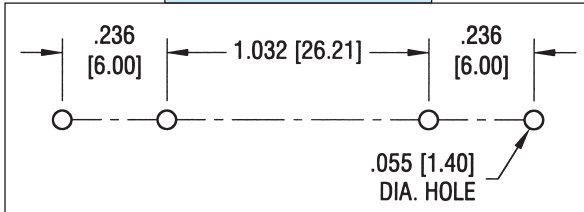
TABLE OF CONTENTS

CAT. NO. 51 thru 921A	CAT. NO. 590 thru 6372A, 3A
CAT. NO. 202 thru 2924A	CAT. NO. 29151A

“A” • “4/5 A” • “2/3 A” • “1/2 A” • “AA” • “4/5 AA” • “1/2 AA” • “AAA” • “AAAA” • “N” • 12 VOLT SIZES

NOTE: ALL MOUNTING DIMENSIONS ARE FOR REFERENCE ONLY. VERIFY YOUR BATTERY LAYOUT PRIOR TO FABRICATION.

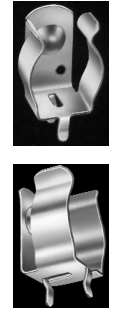
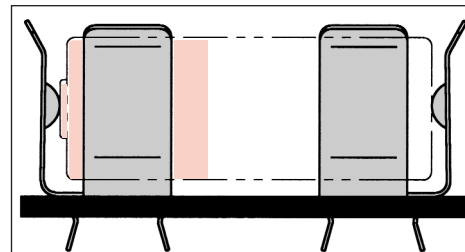
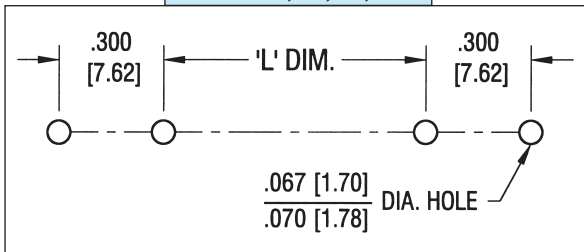
CAT. NO. 51



CATALOG NUMBERS	“L” DIMENSION For “AAAA”
51 with 51	1.032 [26.21]

SUGGESTED BOARD THICKNESS: .032 [0.81] thru .062 [1.57]

CAT. NO. 52, 82, 92, 2915

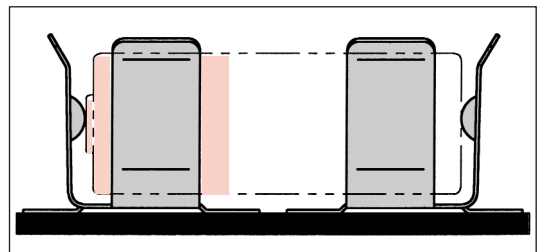
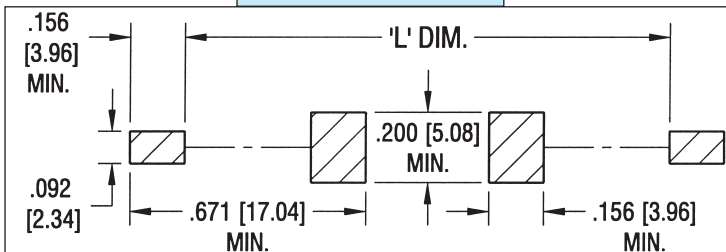


CATALOG NUMBERS	“L” DIMENSION						
	For “A”	For “4/5A”	For “2/3A”	For “1/2A”	For “AA”	For “4/5AA”	For “1/2AA”
52 with 52	1.120 [28.45]	1.020 [25.90]	.645 [16.38]	.300 [7.62]	1.300 [33.02]	1.020 [25.90]	.300 [7.62]
92 with 92	1.120 [28.45]	1.020 [25.90]	.645 [16.38]	.300 [7.62]	1.300 [33.02]	1.020 [25.90]	.300 [7.62]
2915 with 2915	1.120 [28.45]	1.020 [25.90]	.645 [16.38]	.300 [7.62]	1.300 [33.02]	1.020 [25.90]	.300 [7.62]

CATALOG NUMBERS	“L” DIMENSION		
	For “AAA”	For “N”	For 12 VOLT
82 with 82	1.080 [27.43]	.510 [12.95]	.450 [11.43]

SUGGESTED BOARD THICKNESS: .062 [1.57]

CAT. NO. 55



CATALOG NUMBERS	“L” DIMENSION		
	For “AAA”	For “N”	For 12 VOLT
55 with 55	1.800 [45.72]	1.280 [32.51]	1.220 [30.99]



Designers' Choice

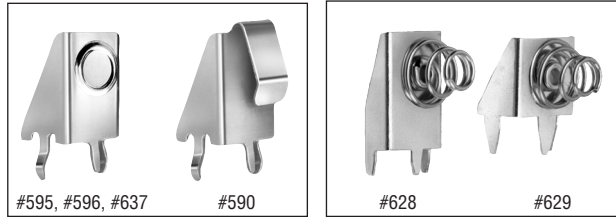
BATTERY CONTACTS LAYOUT & MOUNTING DETAILS

TABLE OF CONTENTS

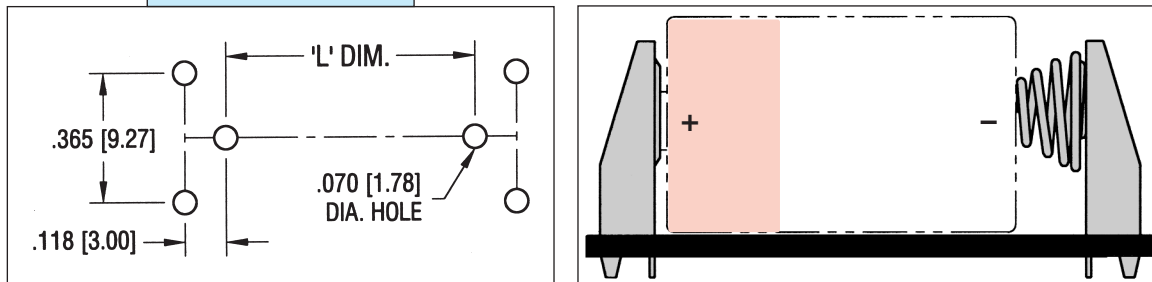
CAT. NO. 51 thru 921A	CAT. NO. 590 thru 6372A, 3A
CAT. NO. 202 thru 2924A	CAT. NO. 29151A

“A” • “4/5 A” • “2/3 A” • “1/2 A” • “AA” • “4/5 AA” • “1/2 AA” • “AAA” • “N” • 12 VOLT SIZES

NOTE: ALL MOUNTING DIMENSIONS ARE FOR REFERENCE ONLY. VERIFY YOUR BATTERY LAYOUT PRIOR TO FABRICATION.



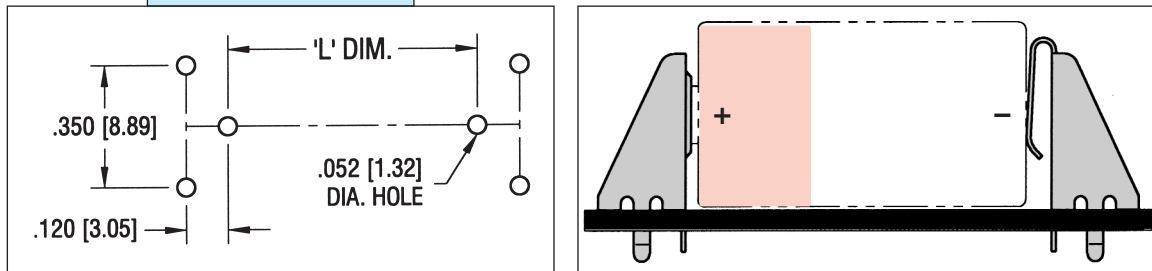
CAT. NO. 595 WITH 628



CATALOG NUMBERS	“L” DIMENSION			
	For “A”	For “4/5A”	For “2/3A”	For “1/2A”
595 with 628	1.890 [48.01]	1.790 [45.47]	1.520 [38.61]	1.165 [29.59]

SUGGESTED BOARD THICKNESS: .032 [0.81] thru .062 [1.57]

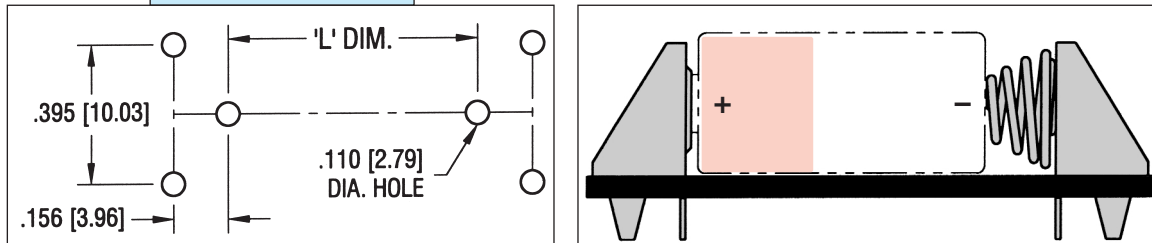
CAT. NO. 596 WITH 590



CATALOG NUMBERS	“L” DIMENSION		
	For “AA”	For “4/5AA”	For “1/2AA”
596 with 590	2.070 [52.58]	1.790 [45.47]	1.065 [27.05]

SUGGESTED BOARD THICKNESS: .032 [0.81] thru .062 [1.57]

CAT. NO. 637 WITH 629



CATALOG NUMBERS	“L” DIMENSION					
	For “AA”	For “4/5AA”	For “1/2AA”	For “AAA”	For “N”	For 12 VOLT
637 with 629	2.070 [52.58]	1.790 [45.47]	1.065 [27.05]	1.850 [46.99]	1.280 [32.51]	1.220 [30.99]

SUGGESTED BOARD THICKNESS: .032 [0.81] thru .062 [1.57]

BATTERY CONTACTS LAYOUT & MOUNTING DETAILS *Designers' Choice*

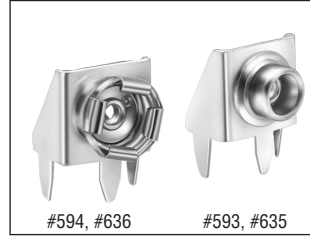
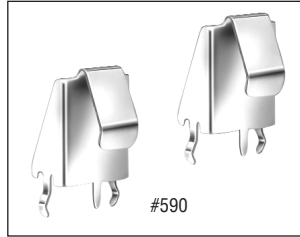


TABLE OF CONTENTS

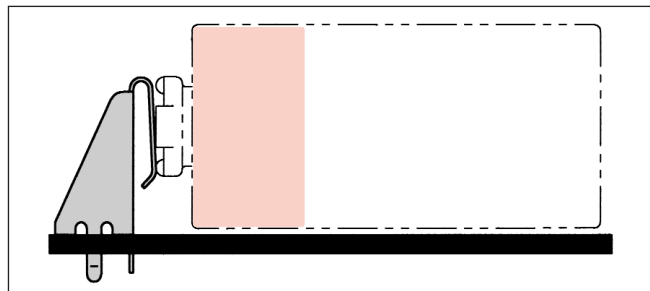
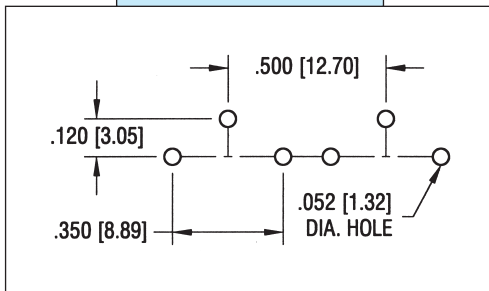
CAT. NO. 51 thru 921A	CAT. NO. 590 thru 6372A, 3A
CAT. NO. 202 thru 2924A	CAT. NO. 29151A

9 VOLT SIZES

NOTE: ALL MOUNTING DIMENSIONS ARE FOR REFERENCE ONLY. VERIFY YOUR BATTERY LAYOUT PRIOR TO FABRICATION.



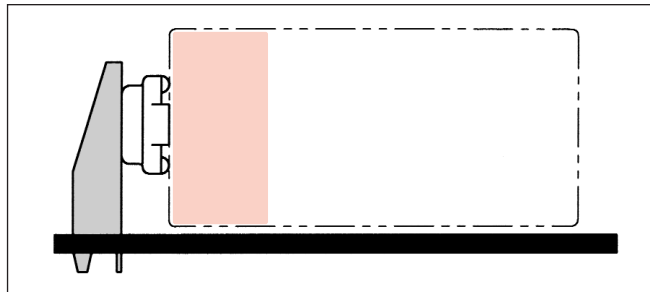
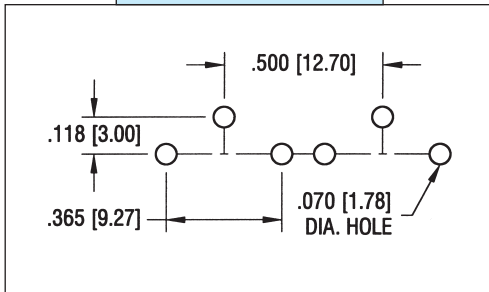
CAT. NO. 590 WITH 590



CATALOG NUMBERS	"L" DIMENSION For 9 VOLT
590 with 590	.500 [12.70]

SUGGESTED BOARD THICKNESS: .062 [1.57]

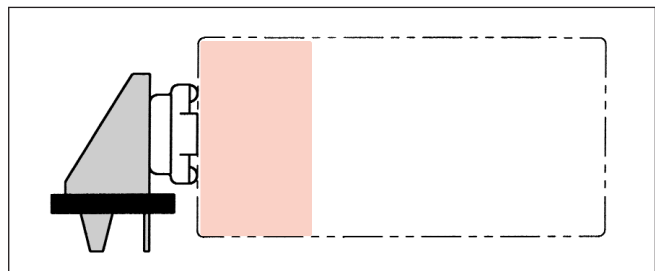
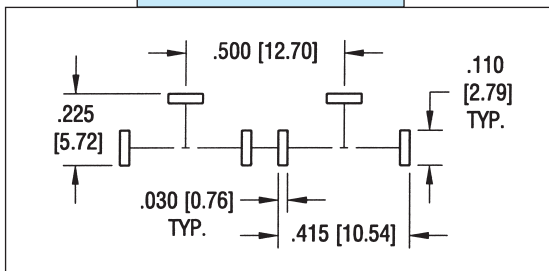
CAT. NO. 593 WITH 594



CATALOG NUMBERS	"L" DIMENSION For 9 VOLT
593 with 594	.500 [12.70]

SUGGESTED BOARD THICKNESS: .032 [0.81] thru .062 [1.57]

CAT. NO. 635 WITH 636



CATALOG NUMBERS	"L" DIMENSION For 9 VOLT
635 with 636	.500 [12.70]

SUGGESTED BOARD THICKNESS: .032 [0.81] thru .062 [1.57]



Designers' Choice

BATTERY CONTACTS LAYOUT & MOUNTING DETAILS

TABLE OF CONTENTS

CAT. NO. 51 thru 92	1A	CAT. NO. 590 thru 637	2A, 3A
CAT. NO. 202 thru 292	4A	CAT. NO. 2915	1A

“A” • “4/5A” • “2/3A” • “1/2A” • “AA” • “4/5AA” • “1/2AA” • “AAA” • “AAAA” • “N” • 12 VOLT SIZES

NOTE: ALL MOUNTING DIMENSIONS ARE FOR REFERENCE ONLY. VERIFY YOUR BATTERY LAYOUT PRIOR TO FABRICATION.

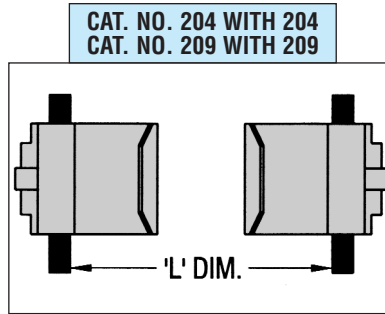
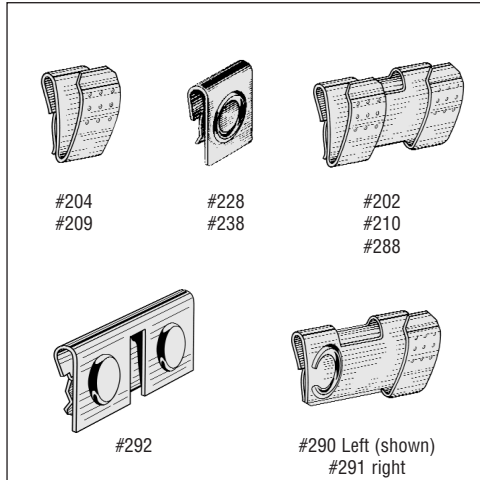


FIG.1

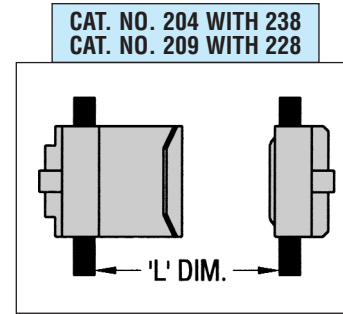


FIG.2

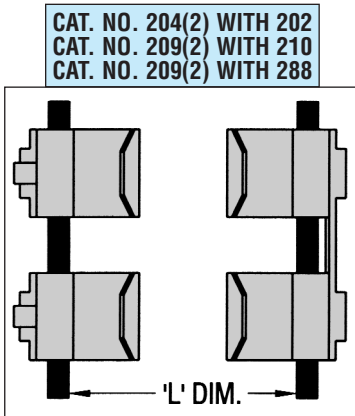


FIG.3

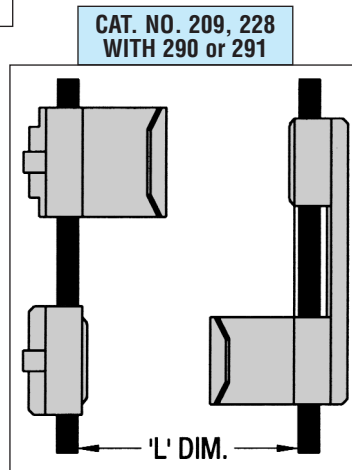


FIG.4

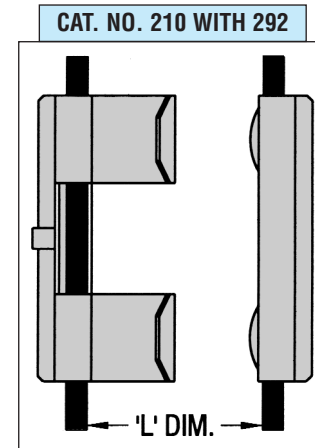
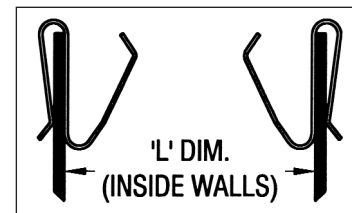


FIG.5



CATALOG NUMBERS	FIG. NO.	“L” DIMENSION			
		For “AAAA”	For “AAA”	For “N”	For 12 VOLT
204 with 204	1	1.860 [47.24]	1.964 [49.89]	1.390 [35.31]	1.330 [33.78]
204(2) with 202	3	1.860 [47.24]	1.964 [49.89]	1.390 [35.31]	1.330 [33.78]
204 with 238	2	1.790 [45.47]	1.870 [47.50]	1.300 [33.02]	1.240 [31.50]

CATALOG NUMBERS	FIG. NO.	“L” DIMENSION				
		For “A”	For “4/5A” & “4/5AA”	For “2/3A”	For “1/2A” & “1/2AA”	For “AA”
209 with 209	1	2.090 [53.09]	1.990 [50.55]	1.620 [41.15]	1.270 [32.26]	2.270 [57.66]
209(2) with 210	3	2.090 [53.09]	1.990 [50.55]	1.620 [41.15]	1.270 [32.26]	2.270 [57.66]
209 with 228	2	1.950 [49.53]	1.850 [46.99]	1.480 [37.59]	1.130 [28.70]	2.130 [54.10]
209, 228 with 290	4	1.950 [49.53]	1.850 [46.99]	1.480 [37.59]	1.130 [28.70]	2.130 [54.10]
209, 228 with 291	4	1.950 [49.53]	1.850 [46.99]	1.480 [37.59]	1.130 [28.70]	2.130 [54.10]
209(2) with 288	3	2.090 [53.09]	1.990 [50.55]	1.620 [41.15]	1.270 [32.26]	2.270 [57.66]
210 with 292	5	1.980 [50.29]	1.880 [47.75]	1.500 [38.10]	1.150 [29.21]	2.160 [54.86]

SUGGESTED WALL THICKNESS: .062 [1.57] thru .078 [1.98]