

GP Batteries

PRODUCT SPECIFICATION

GP PowerBank S360
Model: GPPB360 (200mA)

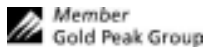
Revision History

Revision	Date	Initiator	Reason for Change
00	27 Feb 2009	Con Chan	New release

Prepared By	Approved By
Con Chan	Natalie Chow
Date: 27 Feb 09	Date: 27 Feb 09

GPI International Limited

Gold Peak Building, 8/F, 30 Kwai Wing Road,
Kwai Chung, New Territories, Hong Kong.
Tel: (852) 2484 3333 Fax: (852) 24805912
Email: gpii@goldpeak.com
Website: <http://www.gpbatteries.com>

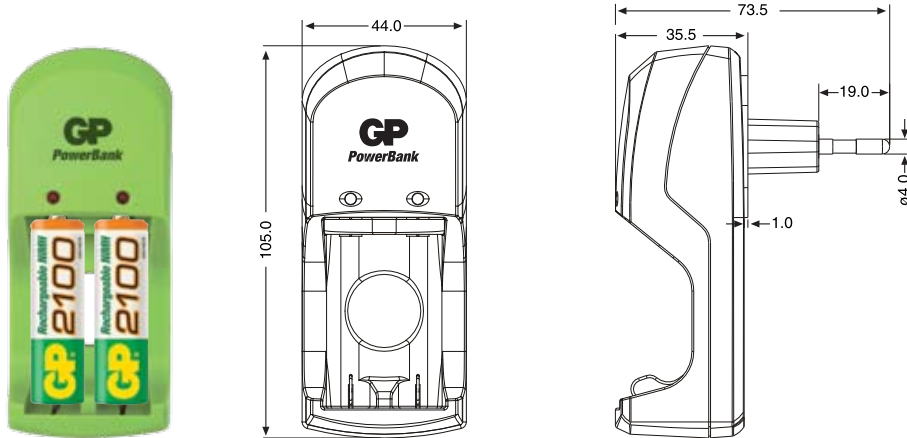


Manufacturer reserves the right to alter or amend the design, model and specification without prior notice.

GP Batteries

Product Specification

Model No.: GPPB360




NOTE : It is safe to charge GP NiMH batteries continuously with GP PowerBank S360.

Unit : mm

Product Name	:	GP PowerBank S360
Description	:	Continuous NiMH Battery Charger (Plug-In Type)
Input Voltage	:	230V AC 50Hz (GS/BS); 120V AC 60Hz (UL)
Input Power	:	6W max.
Application	:	For charging 1 or 2 pcs NiMH batteries; 1 battery per one channel
Output Voltage	:	1.4V DC
Charging Current	:	AA 200mA \pm 10% AAA 100mA \pm 10%

Charging Time	:	<table border="1"> <thead> <tr> <th></th> <th>Size</th> <th>Capacity (mAh / series)</th> <th>Charging Time (hours)</th> </tr> </thead> <tbody> <tr> <td rowspan="3">GP NiMH</td> <td rowspan="2">AA</td> <td>2100 ~ 2700</td> <td>12 ~ 15.5</td> </tr> <tr> <td>1300 ~ 1800</td> <td>8 ~ 11</td> </tr> <tr> <td>AAA</td> <td>600 ~ 1000</td> <td>7 ~ 11.5</td> </tr> </tbody> </table>		Size	Capacity (mAh / series)	Charging Time (hours)	GP NiMH	AA	2100 ~ 2700	12 ~ 15.5	1300 ~ 1800	8 ~ 11	AAA	600 ~ 1000	7 ~ 11.5
	Size	Capacity (mAh / series)	Charging Time (hours)												
GP NiMH	AA	2100 ~ 2700	12 ~ 15.5												
		1300 ~ 1800	8 ~ 11												
	AAA	600 ~ 1000	7 ~ 11.5												

MTBF	:	30000 hours (at ambient temperature 25°C)
Operating Temperature	:	0°C to 45°C
Storage Temperature	:	-25°C to 60°C
Charge Indicator	:	2 red LED for two channels; two channels operate individually
Dimensions	:	105(L) X 44(W) X 34.5(T)mm
Approval	:	GS, CE, CQC, FCC, C-UL, PSE
Warranty Period	:	12 months from ex-factory date

 Member
Gold Peak Group

Manufacturer reserves the right to alter or amend the design, model and specification without prior notice.

02090107028