

GP Batteries

PRODUCT SPECIFICATION

GP PowerBank S350
Model: GPPB350 (200mA)

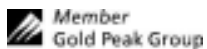
Revision History

Revision	Date	Initiator	Reason for Change
00	27 Feb 2009	Con Chan	New release

Prepared By	Approved By
Con Chan	Natalie Chow
Date: 27 Feb 09	Date: 27 Feb 09

GPI International Limited

Gold Peak Building, 8/F, 30 Kwai Wing Road,
Kwai Chung, New Territories, Hong Kong.
Tel: (852) 2484 3333 Fax: (852) 24805912
Email: gpii@goldpeak.com
Website: <http://www.gpbatteries.com>

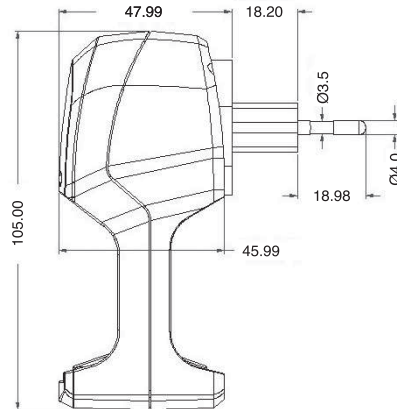
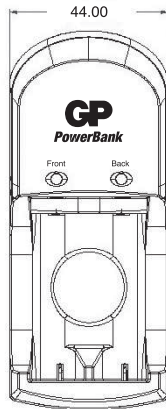


Manufacturer reserves the right to alter or amend the design, model and specification without prior notice.

GP Batteries

Product Specification

Model No.: GPPB350



NOTE : It is safe to charge GP NiMH batteries continuously with GP PowerBank S350.

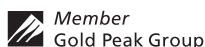
Unit : mm

- Product Name : GP PowerBank S350
- Description : Continuous NiMH Battery Charger (Plug-In Type)
- Input Voltage : 230V AC 50Hz (GS/BS); 120V AC 60Hz (UL)
- Input Power : 6W max.
- Application : For charging 2 or 4 pcs NiMH batteries; 2 batteries per one channel
(DO NOT mix AA and AAA size batteries in the same channel.)
- Output Voltage : 2.8V DC
- Charging Current : AA 200mA ± 10%
AAA 100mA ± 10%

Charging Time :

	Size	Capacity (mAh / series)	Charging Time (hours)
GP NiMH	AA	2100 ~ 2700	12 ~ 15.5
		1300 ~ 1800	8 ~ 11
	AAA	600 ~ 1000	7 ~ 11.5

- MTBF : 30000 hours (at ambient temperature 25°C)
- Operating Temperature : 0°C to 45°C
- Storage Temperature : -25°C to 60°C
- Charge Indicator : 2 red LED for two channels, left LED for front channel and right LED for back channel
- Dimensions : 105(L) X 44(W) X 46(T)mm
- Approval : GS, CE, CQC, FCC, C-UL
- Warranty Period : 12 months from ex-factory date



Manufacturer reserves the right to alter or amend the design, model and specification without prior notice.

02090107044