

# GP Batteries

## PRODUCT SPECIFICATION

### GP Powerbank Smart 2 Model: GPPB14BSSA

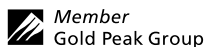
#### Revision History

Revision	Date	Initiator	Reason for Change
00	9 September 2003	Bonnie lau	New release
01	10 August 2007	Ivy So	New Smart 2 replace for existing one

Prepared By	Approved By
Ivy So	Iris Lai
Date: 10 Aug 07	Date: 10 Aug 07

### **GPI International Limited**

Gold Peak Building, 8/F, 30 Kwai Wing Road,  
Kwai Chung, New Territories, Hong Kong.  
Tel: (852) 2484 3333 Fax: (852) 24805912  
Email: [gpii@goldpeak.com](mailto:gpii@goldpeak.com)  
Website: <http://www.gpbatteries.com>

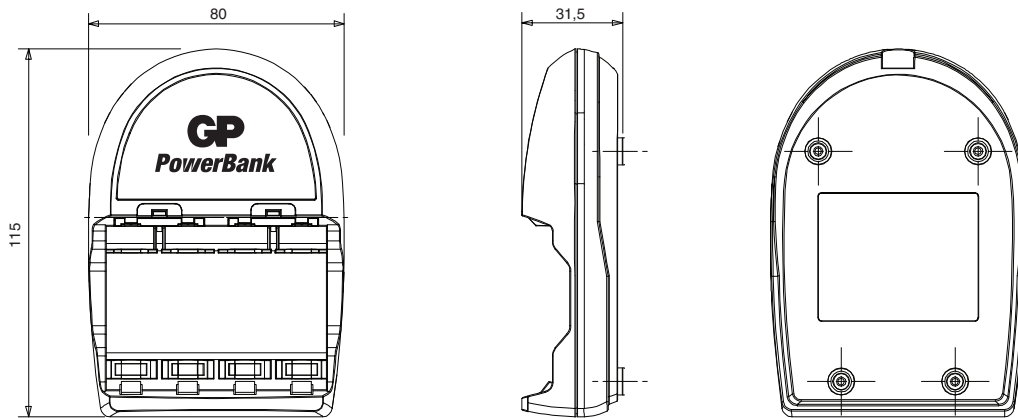


Manufacturer reserves the right to alter or amend the design, model and specification without prior notice.

# GP Batteries

## Product Specification

Model No.: GPPB14BSSA



NOTE : It is safe to charge GP NiMH batteries continuously with GP PowerBank Smart 2.

Unit : mm

- Product Name : GP PowerBank Smart 2  
 Description : One Hour Battery Charger (with external adaptor)  
 Input Voltage : AC100-240V 50/60Hz  
 Input Power : 18W Max.  
 Application : For charging 1 to 4 pcs NiMH batteries  
 (DO NOT mix AA and AAA size batteries in the same channel.)  
 Output Voltage : DC12V/1.5A  
 Charging Current : AA/NiMH 2000mA  $\pm$  10%    AAA/NiMH 1000mA  $\pm$  10%  
 Trickle Charge Current : AA/NiMH 160mA  $\pm$  10%    AAA/NiMH 60mA  $\pm$  10%  
 Charging Time (1-4 pcs) :

NiMH		
Size	Battery	Time(mins)
AA	2500 series	~70
AA	2300 series	~65
AA	2100 series	~60
AAA	950 series	~60
AAA	850 mAh	~60
AAA	750 mAh	~60

- Termination methods : -  $\Delta V$  0-5mV; Temperature cutoff 55°C  $\pm$  5°C; Safety timer 95 mins.  
 MTBF : 30000 hours (at ambient temperature 25°C)  
 Operating Temperature : 0°C to 45°C  
 Storage Temperature : -20°C to 45°C  
 Charge Indicator : LED for each channel; Orange LED ON for charging in process; LED OFF for fully charged; LED FLASH for primary or damaged batteries.  
 Dimensions : 115(L) X 80(W) X 31.5(T)mm  
 Approval : CE  
 Warranty Period : 12 months from ex-factory date



Manufacturer reserves the right to alter or amend the design, model and specification without prior notice.

11070107284