



THE POWER TO PRINT

Able Systems Limited

Denton Drive
Northwich
Cheshire
CW9 7TU
England

T: +44 (0) 1606 48621
F: +44 (0) 1606 44903

www.able-systems.com

BC801V2 Trickle Charger Specification

1. Input Specification

Rated AC input voltage:	100-240Vac
Operating range:	90-264Vac
Rated input frequency:	50/60Hz
Rated input current:	0.18A max.
Maximum input power:	8W
Input current (no loading):	≤18mA
Power consumption (no loading):	Max. 0.5W
Primary current protection:	Internal fuse on the AC input line.



2. Output Specification

Nominal DC output voltage:	+12.0V
Rated load current:	0.4A
Rated output power:	4.8W
Regulation type:	Voltage

Output safety protection; over-voltage, short-circuit and over current.

3 Regulatory Standard

The power supply complies with the following international regulatory standards:

Abbreviation	Country	Standard
UL	USA	UL 60950-1
cUL	Canada	UL 60950-1
TUV	Europe	TUV/VDE-EN60950-1
CE	Europe	Declared and CE Mark
C-Tick	Australia	AS/NZS CISPR 22 2006
PSE	Japan	J60950(H14)/J55001(H14)
BSMI	Taiwan	CNS13438
CCC	China	GB4943-2001

4. Environmental Requirements

Temperature

- Operating: **0 °C to +40 °C**
- Non-Operating: **-20 °C to +80 °C**

Humidity

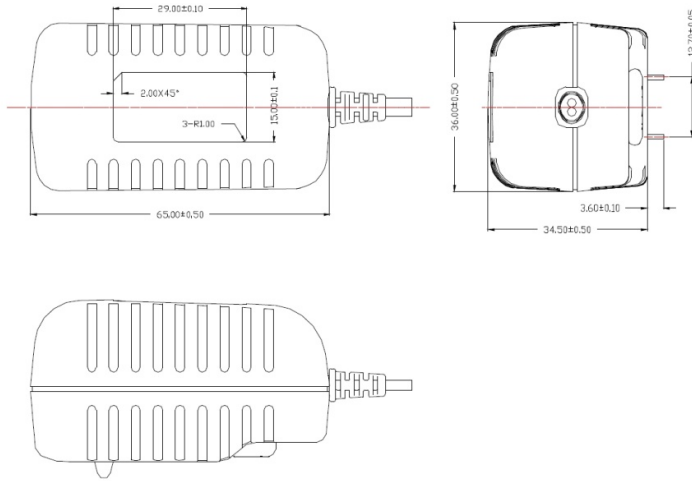
- Operating: **10%~90%** (Non Condensing)
- Non-Operating: **10%~90%** (Non Condensing)



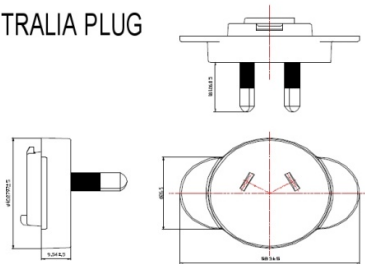
Able Systems Limited. Registered in England No. 1633942

5. Enclosure And Layout

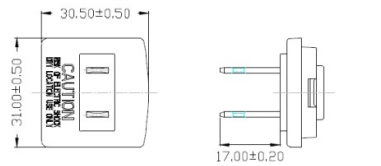
Plastic case: UL94V-1
 Weight : 70 g (Max.)
 Dimensions: 65x36x34.5 mm (allow for output cable strain relief)
 Colour : BLACK



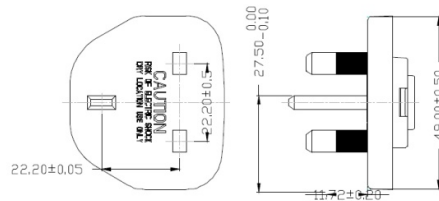
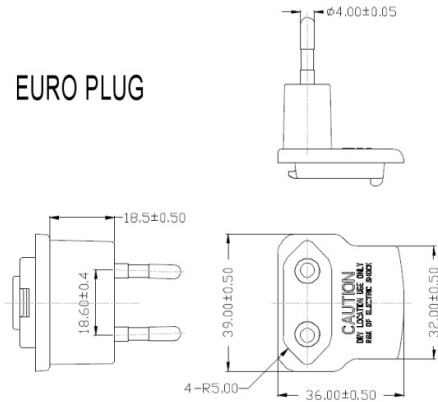
AUSTRALIA PLUG



USA/CANADA PLUG



EURO PLUG



UK PLUG

