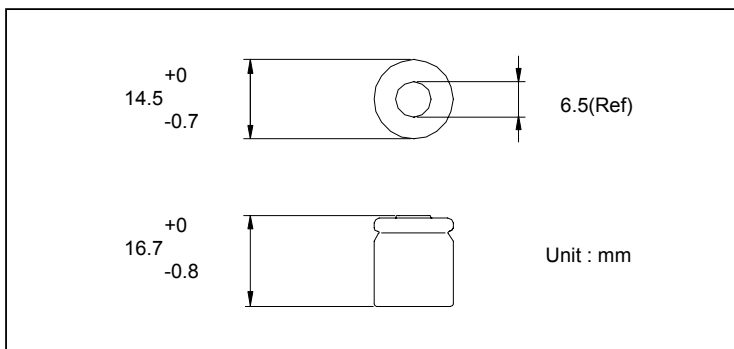


# GP Batteries

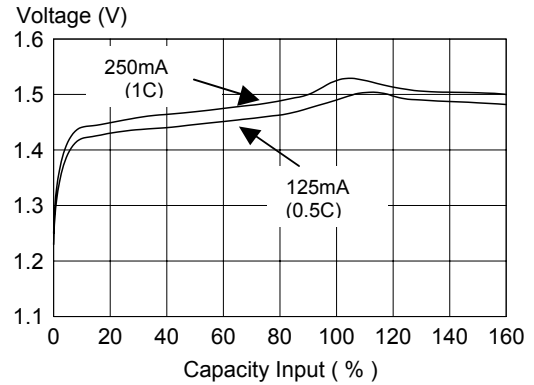
## Data Sheet

Model No.: GP25AAH

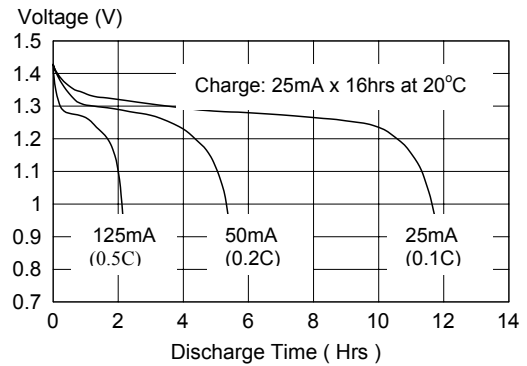
Type	: Rechargeable Nickel Metal Hydride Cylindrical Cell
Nominal Dimension (with Sleeve)	: $\Phi = 14.5 \text{ mm}$ H = 16.7 mm
Applications	: Recommended discharge current 25 to 750 mA
Nominal Voltage	: 1.2V
Capacity	: Minimum: 250 mAh Typical: 270 mAh when discharged at 0.2C to 1.0V at 20°C
Charging Condition	: 25 mA for 16 hrs at 20°C
Fast Charge	: 125 mA to 250 mA (0.5 to 1C) charge termination control recommended control parameters: - $\Delta V$ : 0 - 5mV DT/dt **: 0.8°C/min (0.5 to 0.9C) : 0.8 - 1°C/min (1C) TCO **: 45 - 50°C Timer **: 105% nominal input ** For reference only
Service Life	: >500 cycles (IEC standard)
Continuous Overcharge	: 25 mA maximum current for 1 year No conspicuous deformation and/or leakage
Weight	: 7.0 g
Internal Resistance	: Average 65 m $\Omega$ upon fully charged (Range 50 - 85 m $\Omega$ ) at 1000HZ
Max. Charging Voltage	: 1.5V at 25 mA charging
Ambient Temperature Range	: Standard Charging : 0 to 45°C Fast Charging : 10 to 45°C Discharging : -20 to 50°C Storage : -20 to 35°C



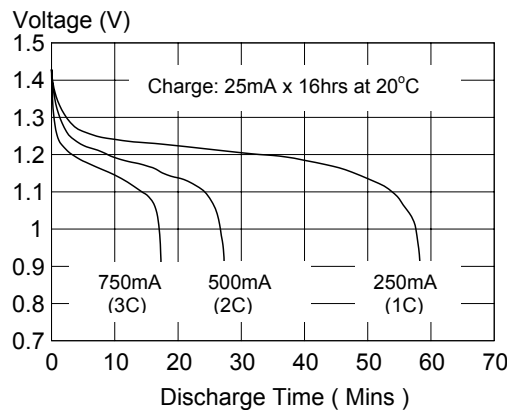
### Fast Charge (charge control required)



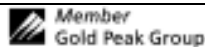
### Low rate discharge



### High Rate Discharge



\* The information (subject to change without prior notice) contained in this document is for reference only and should not be used as a basis for product guarantee or warranty. For applications other than those described here, please consult your nearest GP Sales and Marketing Office or Distributors.



Manufacturer reserves the right to alter or amend the design, model and specification without prior notice. TRS0333 Rev.01