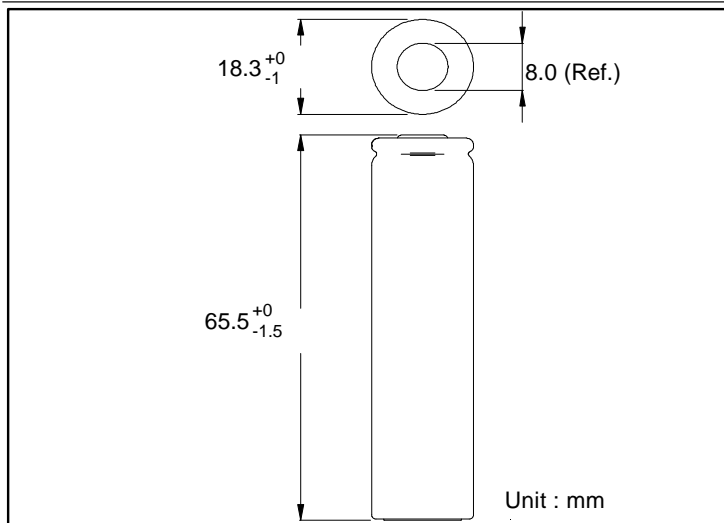


# GP Batteries

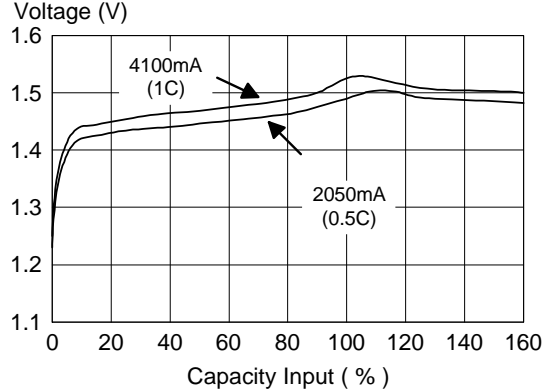
## Data Sheet

Model No.: GP410LAH

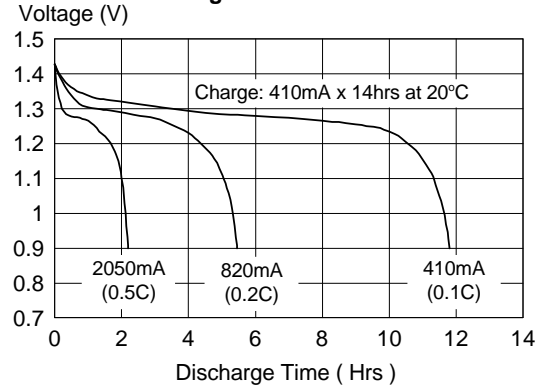
Type	: Rechargeable Nickel Metal Hydride Cylindrical Cell
Nominal Dimension (with Sleeve)	: $\Phi = 18.3\text{mm}$ H = 65.5mm
Applications	: Recommended discharge current 410 to 12300mA
Nominal Voltage	: 1.2V
Nominal Capacity	: 4100mAh when discharge at 820mA to 1.0V at 20°C
Charging Condition	: 410mA for 14hrs at 20°C
Fast Charge	: 2050mA to 4100mA (0.5 to 1C) charge termination control recommended control parameters: - $\Delta V$ : 0 - 5mV DT/dt : 0.8°C/min (0.5 to 0.9C) : 0.8 - 1°C/min (1C) TCO : 45 - 50°C Timer : 105% nominal input
Service Life	: >500 cycles (IEC standard)
Continuous Overcharge	: 410mA maximum current for 1 year No conspicuous deformation and/or leakage
Weight	: 58.0g
Internal Resistance	: Average 19m $\Omega$ upon fully charged (Range 15-25m $\Omega$ ) at 1000Hz
Max. Charging Voltage	: 1.5V at 410mA charging
Ambient Temperature Range	Standard Charging : 0 to 45°C Fast Charging : 10 to 45°C Discharging : -20 to 50°C Storage : -20 to 35°C



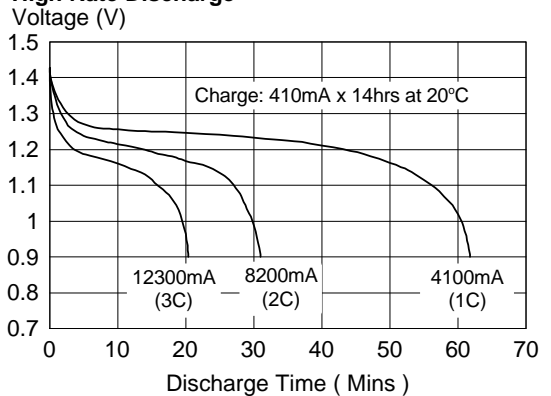
### Fast Charge (Charge control required)



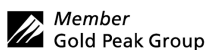
### Low Rate Discharge



### High Rate Discharge



\* The information (subject to change without prior notice) contained in this document is for reference only and should not be used as a basis for product guarantee or warranty. For applications other than those described here, please consult your nearest GP Sales and Marketing Office or Distributors.



Manufacturer reserves the right to alter or amend the design, model and specification without prior notice.

CRS3479 Rev.00