

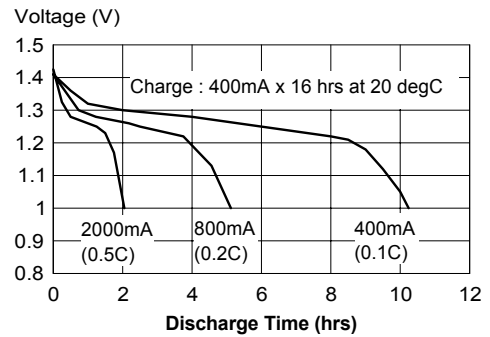
# GP Batteries

## Data Sheet

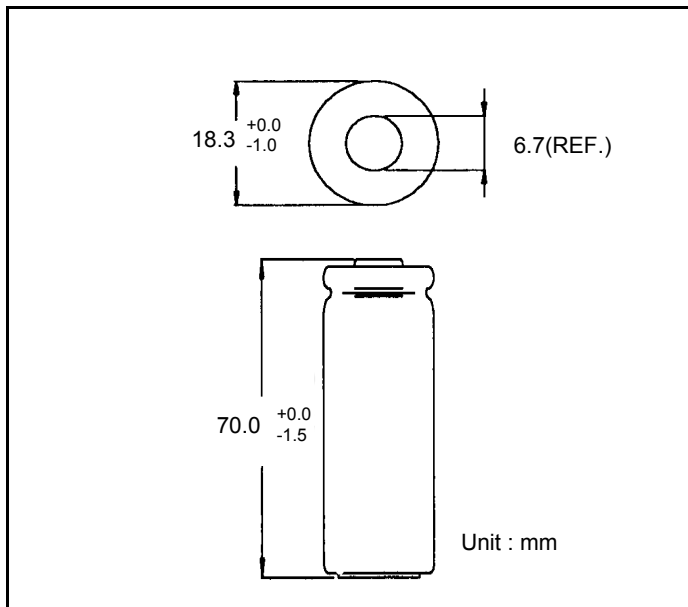
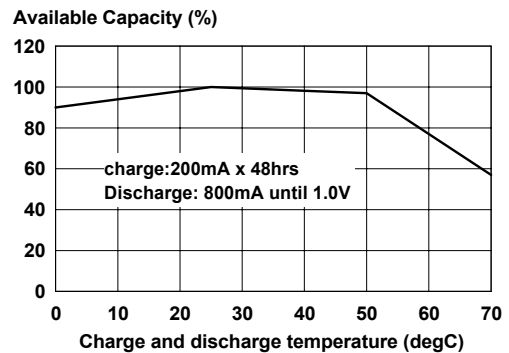
Model No.: GP400LAHT

Type	: High Temperature Rechargeable Nickel Metal Hydride Cylindrical Cell	
Nominal Dimension (with Sleeve)	: $\Phi = 18.3\text{mm}$ H = 70.0 mm	
Applications	: Recommended discharge current 400 to 2000mA	
Nominal Voltage	: 1.2V	
Nominal Capacity	: Minimum : 4000 mAh Typical : 4200mAh when discharge at 800mA to 1.0V at 20°C	
Charging Condition	: 400mA for 16 hrs at 20°C	
Service Life	: >350 cycles (IEC 61951-1)	
Continuous Overcharge	: Comply with IEC61951-1 Permanent Charge Endurance Test	
Weight	: 70.0g	
Internal Resistance	: Average 22m $\Omega$ upon fully charged (Range 19-25m $\Omega$ ) at 1000Hz	
Max. Charging Voltage	: 1.5V at 400mA charging	
Ambient Temperature Range	Charging	: 0 to 70°C
	Discharging	: -20 to 70°C
	Storage	: -20 to 35°C
	Storage (1 week)	: -20 to 60 °C

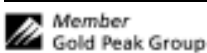
Discharge curve



Charge / discharge efficiency vs. temperature



\* The information (subject to change without prior notice) contained in this document is for reference only and should not be used as a basis for product guarantee or warranty. For applications other than those described here, please consult your nearest GP Sales and Marketing Office or Distributors.



Manufacturer reserves the right to alter or amend the design, model and specification without prior notice.

ZRS1064 Rev.03