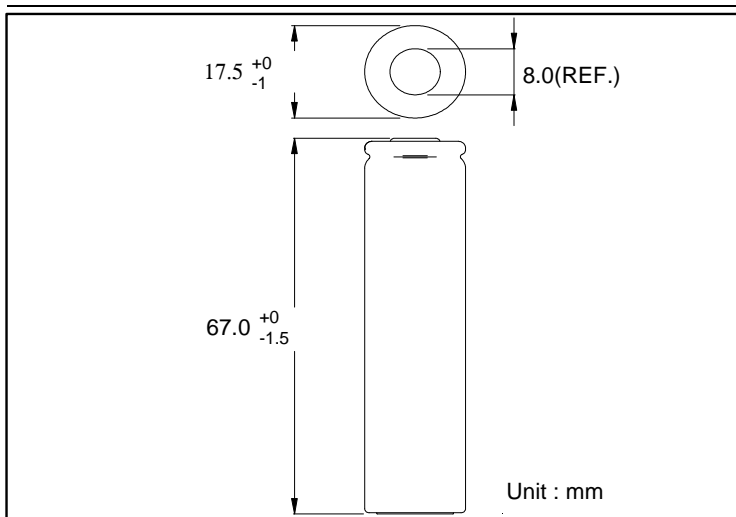


GP Batteries

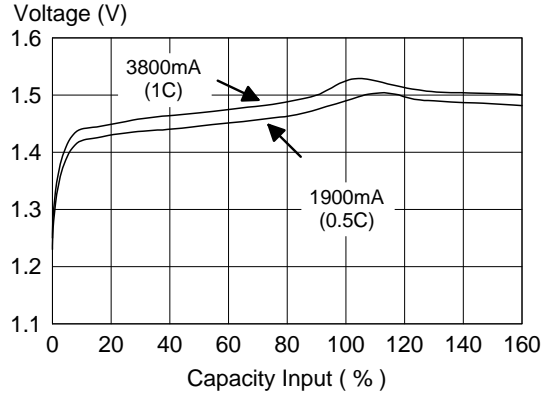
Data Sheet

Model No.: GP380AFH

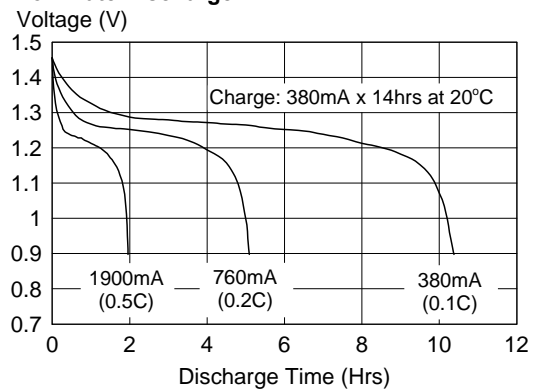
Type	: Rechargeable Nickel Metal Hydride Cylindrical Cell	
Nominal Dimension (with Sleeve)	: $\Phi = 17.5\text{mm}$ H = 67.0mm	
Applications	: Recommended discharge current 380 to 11400mA	
Nominal Voltage	: 1.2V	
Nominal Capacity	: Minimum: 3700mAh Typical: 3800mAh when discharge at 760mA to 1.0V at 20°C	
Charging Condition	: 380mA for 14 hrs at 20°C	
Fast Charge	: 1900mA to 3800mA (0.5 to 1C) charge termination control recommended control parameters: - ΔV : 0 - 5mV DT/dt : 0.8°C/min (0.5 to 0.9C) : 0.8 - 1°C/min (1C) TCO : 45 - 50°C Timer : 105% nominal input	
Service Life	: >500 cycles (IEC standard)	
Continuous Overcharge	: 380mA maximum current for 1 year No conspicuous deformation and/or leakage	
Weight	: 53.5g	
Internal Resistance	: Average 18m Ω upon fully charged (Range 13-24m Ω) at 1000Hz	
Max. Charging Voltage	: 1.5V at 380mA charging	
Ambient Temperature Range	Standard Charging	: 0 to 45°C
	Fast Charging	: 10 to 45°C
	Discharging	: -20 to 50°C
	Storage	: -20 to 35°C



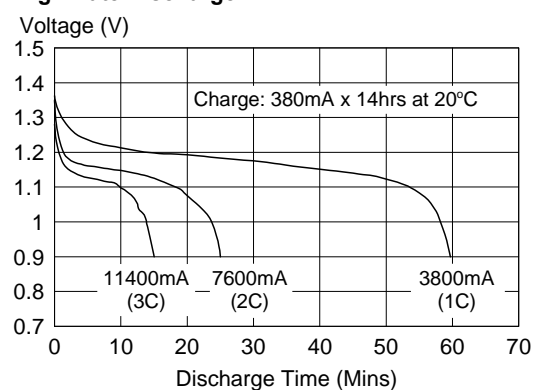
Fast Charge (Charge control required)



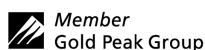
Low Rate Discharge



High Rate Discharge



* The information (subject to change without prior notice) contained in this document is for reference only and should not be used as a basis for product guarantee or warranty. For applications other than those described here, please consult your nearest GP Sales and Marketing Office or Distributors.



Manufacturer reserves the right to alter or amend the design, model and specification without prior notice.

CRS3439 Rev.02