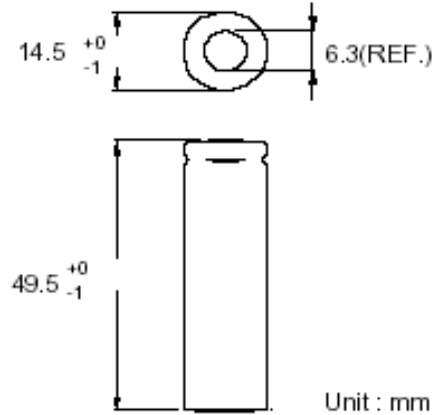
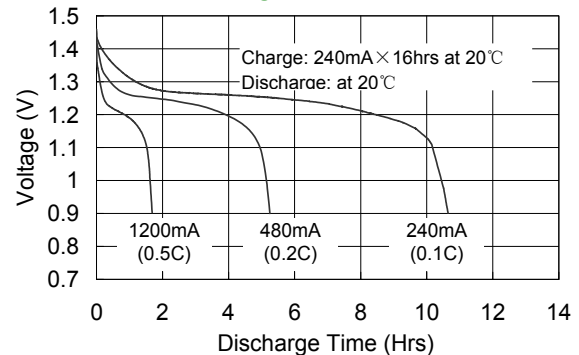


Type	: Rechargeable Nickel Metal Hydride Cylindrical Cell
Nominal Dimension (with Sleeve)	: $\Phi = 14.5\text{mm}$ H = 49.5mm
Applications	: Recommended discharge current 240 to 7200mA
Nominal Voltage	: 1.2V
Capacity	: Nominal: 2400mAh Minimum: 2400mAh Typical: 2450mAh When discharged at 480mA to 1.0V at 20°C
Charging Condition	: 240mA for 16 hrs at 20°C
Fast Charge	: 1200mA to 2400mA (0.5 to 1C) charge termination control recommended control parameters: - ΔV : 0-5mV DT/dt : 0.8°C/min (0.5 to 0.9C) 0.8 - 1°C/min (1C) TCO : 45 - 50°C Timer : 100% nominal input (for ref. only)
Service Life	: >500 cycles (IEC standard)
Continuous Overcharge	: 240mA maximum current for 1 year. No conspicuous deformation and/or leakage
Weight	: 32.0g
Internal Resistance	: Average 20m Ω upon fully charged (Range 14 - 28m Ω) at 1000Hz
Max. Charging Voltage	: 1.5V at 240mA charging
Ambient Temperature Range	: Standard Charge : 0 to 45°C Fast Charging : 10 to 45°C Discharge : -20 to 50°C Storage : -20 to 35°C

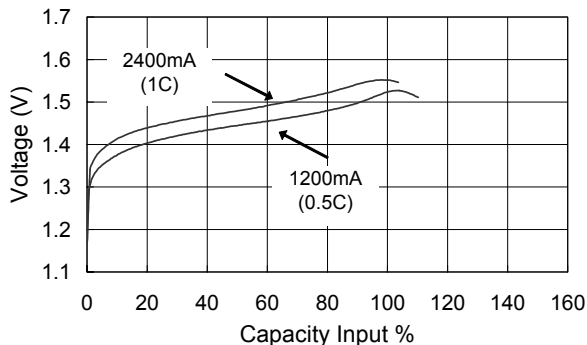
Model No.: GP240AAH



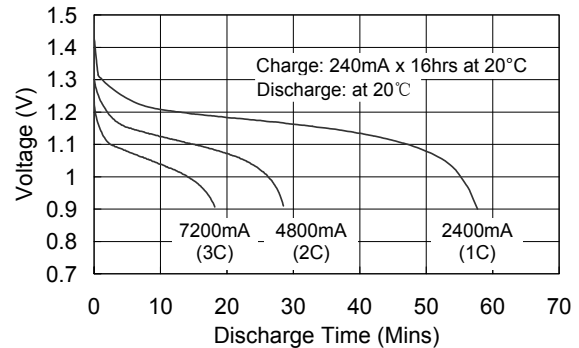
Low Rate Discharge



Fast Charge (Charge Control Required)



High Rate Discharge



The information (subject to change without prior notice) contained in this document is for reference only and should not be used as a basis for product guarantee or warranty. For applications other than those described here, please consult your nearest GP Sales and Marketing Office or Distributors.